

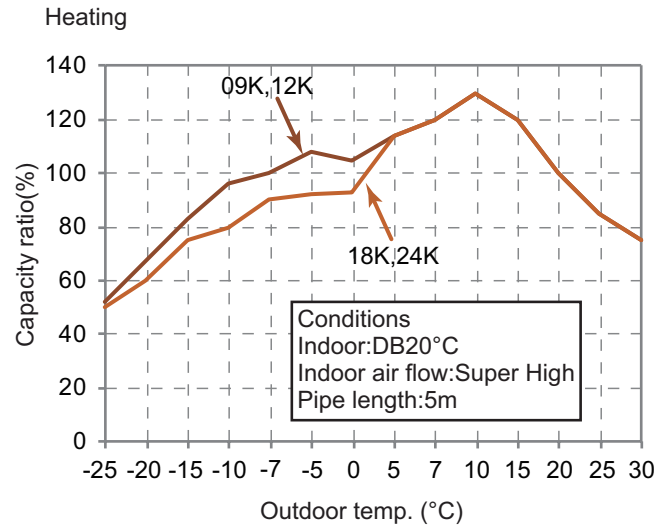
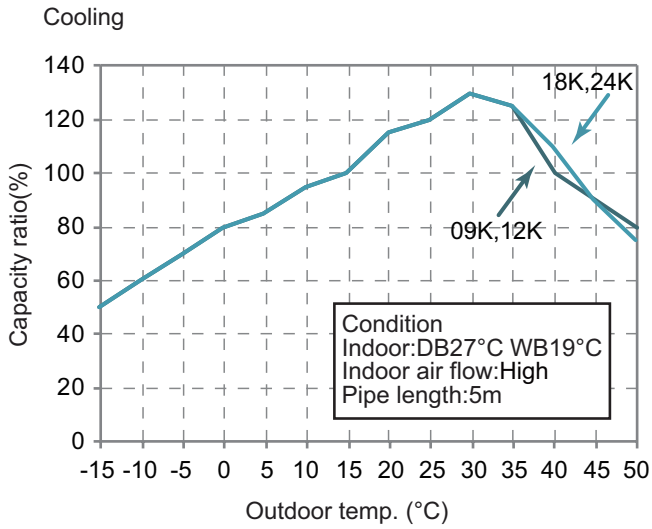
Model	-	GWH12AWCXD-K6DNA1D GWH12AWCXD-K6DNA4D		
Product Code	-	CB603010700 CB622003702	CB603010701 CB622003701	
Power Supply	Rated Voltage	V~	220-240	
	Rated Frequency	Hz	50	
	Phases	-	1	
Power Supply Mode	-	Outdoor		
Cooling Capacity	W	3500		
Heating Capacity	W	3800		
Cooling Power Input	W	910		
Heating Power Input	W	950		
Cooling Current Input	A	4.35		
Heating Current Input	A	4.67		
Rated Input	W	1750		
Rated Cooling Current	A	6.67		
Rated Heating Current	A	7.75		
Air Flow Volume	m ³ /h	650/540/505/405/380/330/310		
Dehumidifying Volume	L/h	0.76		
EER	W/W	3.85		
COP	W/W	4.00		
SEER	-	8.5		
SCOP(Average/Warmer/Colder)	-	4.8/5.8/-		
Application Area	m ²	16-24		
Indoor Unit	Indoor Unit Model	-	GWH12AWCXD-K6DNA1D/I GWH12AWCXD-K6DNA4D/I	
	Indoor Unit Product Code	-	CB603N10700 CB622N03702	
	Fan Type	-	Cross-flow	
	Fan Diameter Length(DXL)	mm	Φ94×630	
	Cooling Speed	r/min	1400/1200/1120/1050/980/920/750/500	
	Heating Speed	r/min	1400/1200/1140/1080/1020/960/900	
	Fan Motor Power Output	W	15	
	Fan Motor RLA	A	0.2	
	Fan Motor Capacitor	μF	/	
	Evaporator Form	-	Aluminum Fin-copper Tube	
	Evaporator Pipe Diameter	mm	Φ5	
	Evaporator Row-fin Gap	mm	2-1.3	
	Evaporator Coil Length (LXDXW)	mm	634×22.8×266.7	
	Swing Motor Model	-	MP24HF/MP24HF	
	Swing Motor Power Output	W	1.5/1.5	
	Fuse Current	A	3.15	
	Sound Pressure Level	dB (A)	Cooling: 43/39/37/34/32/30/24/18 Heating: 44/39/37/35/33/32/31	
	Sound Power Level	dB (A)	Cooling: 58/54/52/49/47/45/39/33 Heating: 58/53/51/49/47/46/45	
	Dimension (WXHXD)	mm	867X276X206	
	Dimension of Carton Box (LXWXH)	mm	920X334X264	
	Dimension of Package (LXWXH)	mm	925X350X275	
Net Weight	kg	9		
Gross Weight	kg	11		

Outdoor Unit	Outdoor Unit Model	-	GWH12AWCXD-K6DNA1D/O		
	Outdoor Unit Product Code	-	CB603W10700	CB603W10701	
	Compressor Manufacturer	-	ZHUHAI LANDA COMPRESSOR CO., LTD.		
	Compressor Model	-	QXF-M098zE170		
	Compressor Oil	-	FW68DA		
	Compressor Type	-	Rotary		
	Compressor LRA.	A	/		
	Compressor RLA	A	4		
	Compressor Power Input	W	856.6		
	Compressor Overload Protector	-	/		
	Throttling Method	-	Electron expansion valve		
	Set Temperature Range	°C	16~30		
	Cooling Operation Ambient Temperature Range	°C	-15~50		
	Heating Operation Ambient Temperature Range	°C	-25~30	-15~30	
	Condenser Form	-	Aluminum Fin-copper Tube		
	Condenser Pipe Diameter	mm	Φ7		
	Condenser Rows-fin Gap	mm	1-1.2		
	Condenser Coil Length (LXDXW)	mm	761.5×38.1×528		
	Fan Motor Speed	rpm	850		
	Fan Motor Power Output	W	30		
	Fan Motor RLA	A	0.7		
	Fan Motor Capacitor	μF	/		
	Outdoor Unit Air Flow Volume	m ³ /h	2200		
	Fan Type	-	Cross-flow		
	Fan Diameter	mm	Φ420		
	Defrosting Method	-	Automatic Defrosting		
	Climate Type	-	T1		
	Isolation	-	I		
	Moisture Protection	-	IPX4		
	Permissible Excessive Operating Pressure for the Discharge Side	MPa	4.3		
	Permissible Excessive Operating Pressure for the Suction Side	MPa	2.5		
	Sound Pressure Level	dB (A)	52		
	Sound Power Level	dB (A)	63		
Dimension (WXHXD)	mm	802X555X350			
Dimension of Carton Box (LXWXH)	mm	869X395X594			
Dimension of Package (LXWXH)	mm	872X398X620			
Net Weight	kg	27			
Gross Weight	kg	29.5			
Refrigerant	-	R32			
Refrigerant Charge	kg	0.6			
Connection Pipe	Connection Pipe Length	m	5		
	Connection Pipe Gas Additional Charge	g/m	16		
	Outer Diameter Liquid Pipe	inch	1/4		
	Outer Diameter Gas Pipe	inch	3/8		
	Max Distance Height	m	10		
	Max Distance Length	m	20		
	Note: The connection pipe applies metric diameter.				

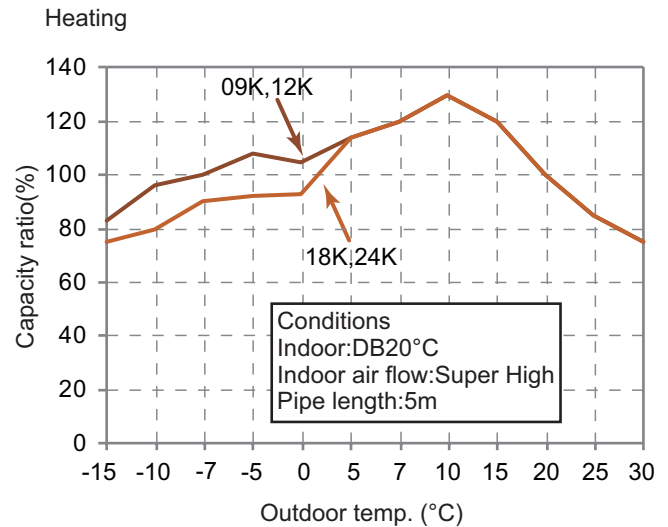
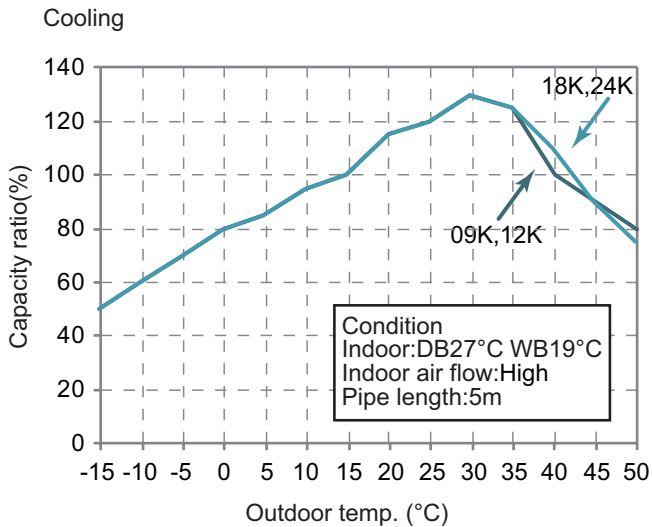
The above data is subject to change without notice. Please refer to the nameplate of the unit.

2.2 Capacity Variation Ratio According to Temperature

Heating operation ambient temperature range is -25°C~30°C

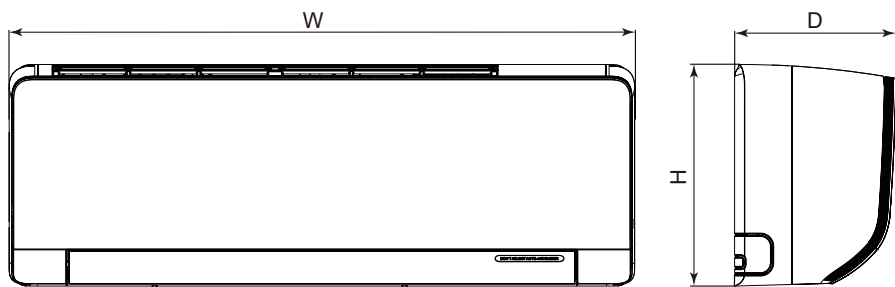


Heating operation ambient temperature range is -15°C~30°C

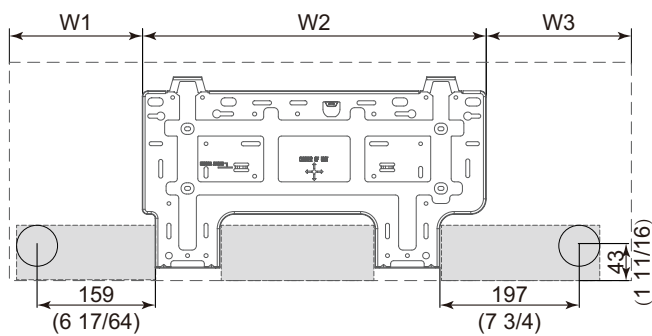


3. Outline Dimension Diagram

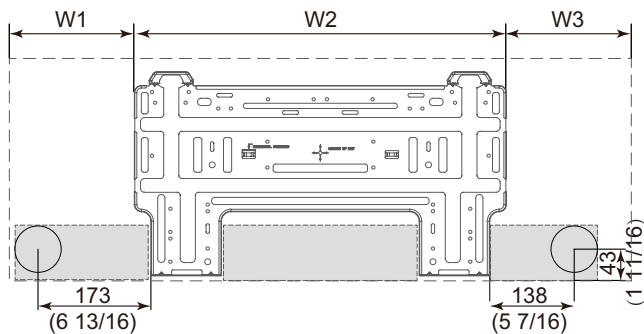
3.1 Indoor Unit



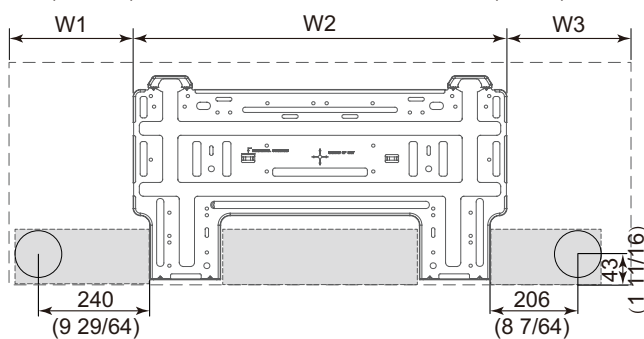
Unit: mm(inch)



AWC



AWD



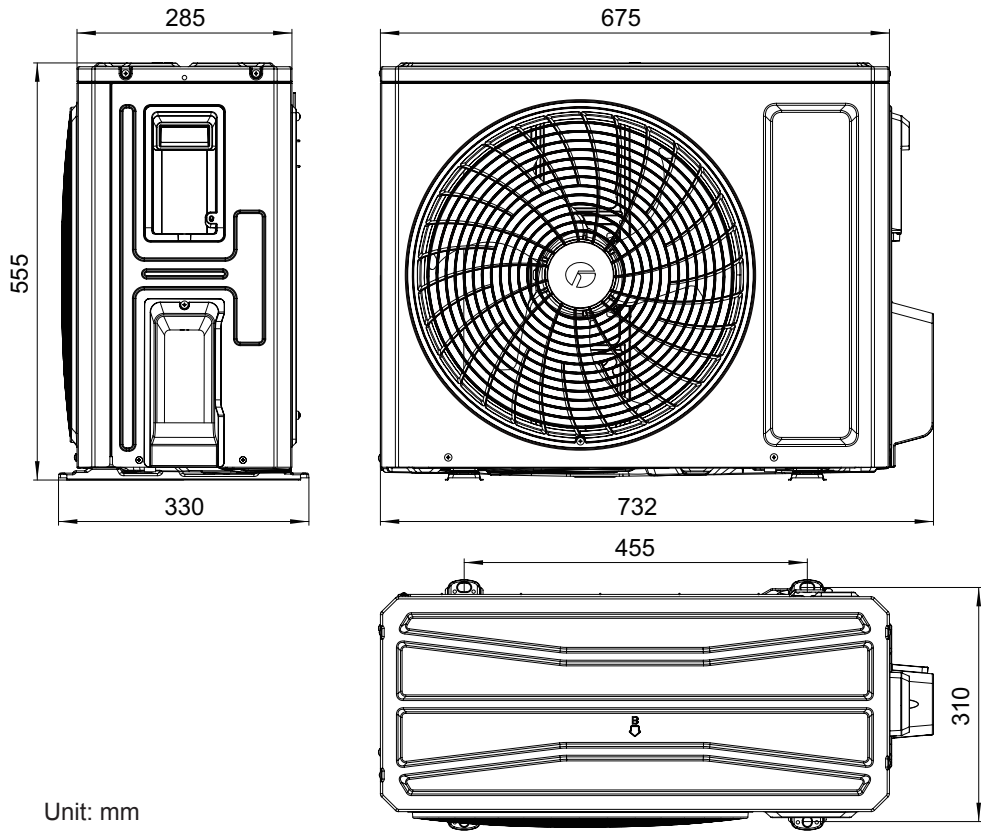
AWE

Unit: mm

Model	W	H	D	W1	W2	W3
AWC	867	276	206	195	462	210
AWD	978	333	248	209	561.5	207.5
AWE	1116	333	248	277.5	561.5	277

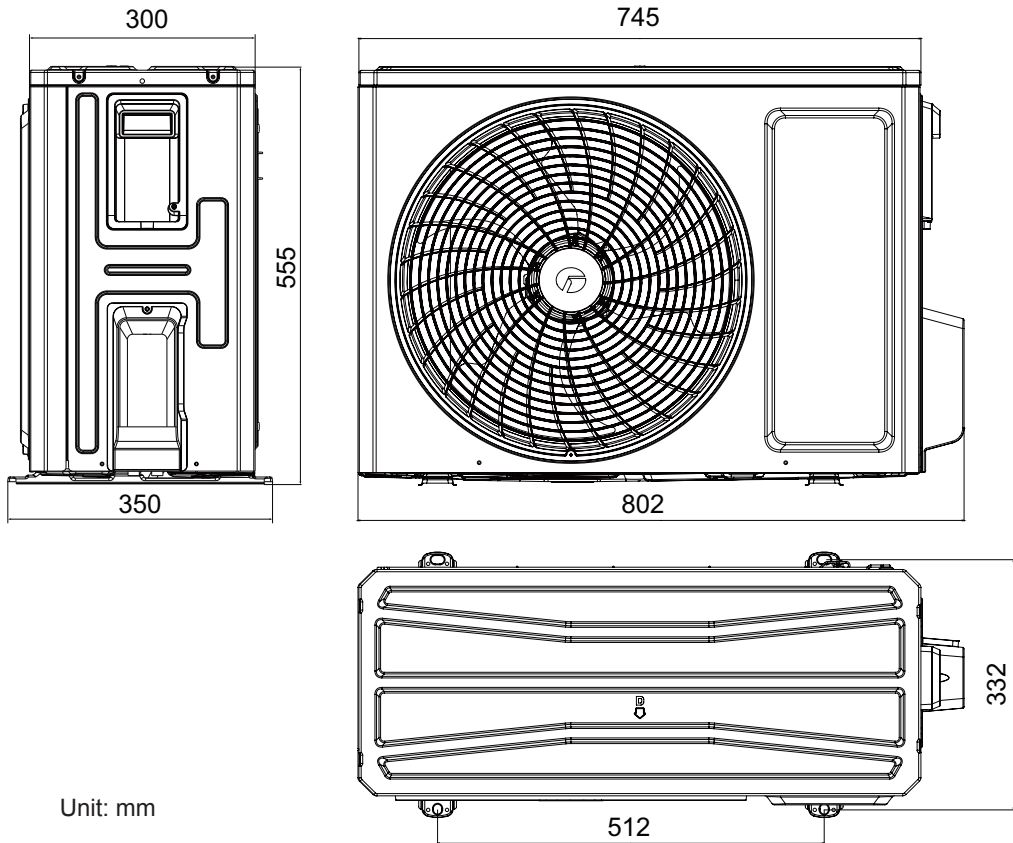
3.2 Outdoor Unit

GWH09ACCXB-K6DNA1G/O GWH12ATCXB-K6DNA1A/O



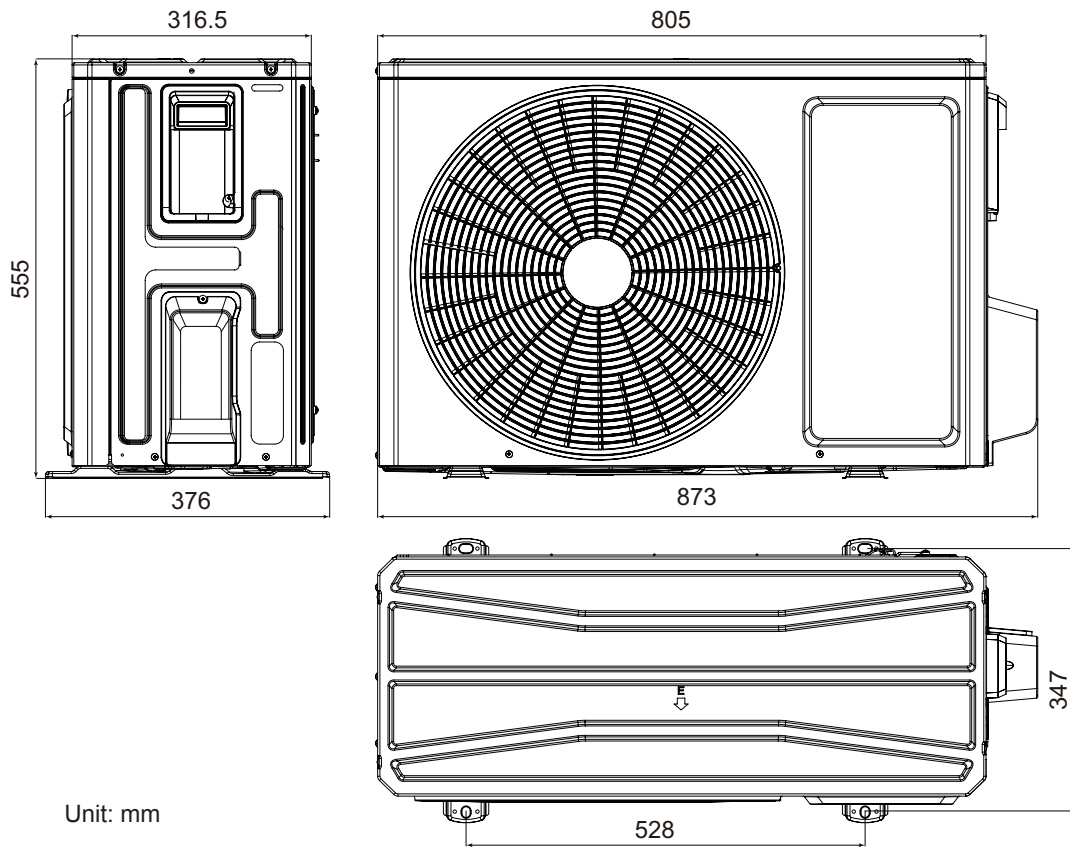
Unit: mm

GWH12AWCXD-K6DNA1D/O GWH18ATDXD-K6DNA1A/O



Unit: mm

GWH18AWDXE-K6DNA4A/O



GWH24AVEXF-K6DNA1A/O

