

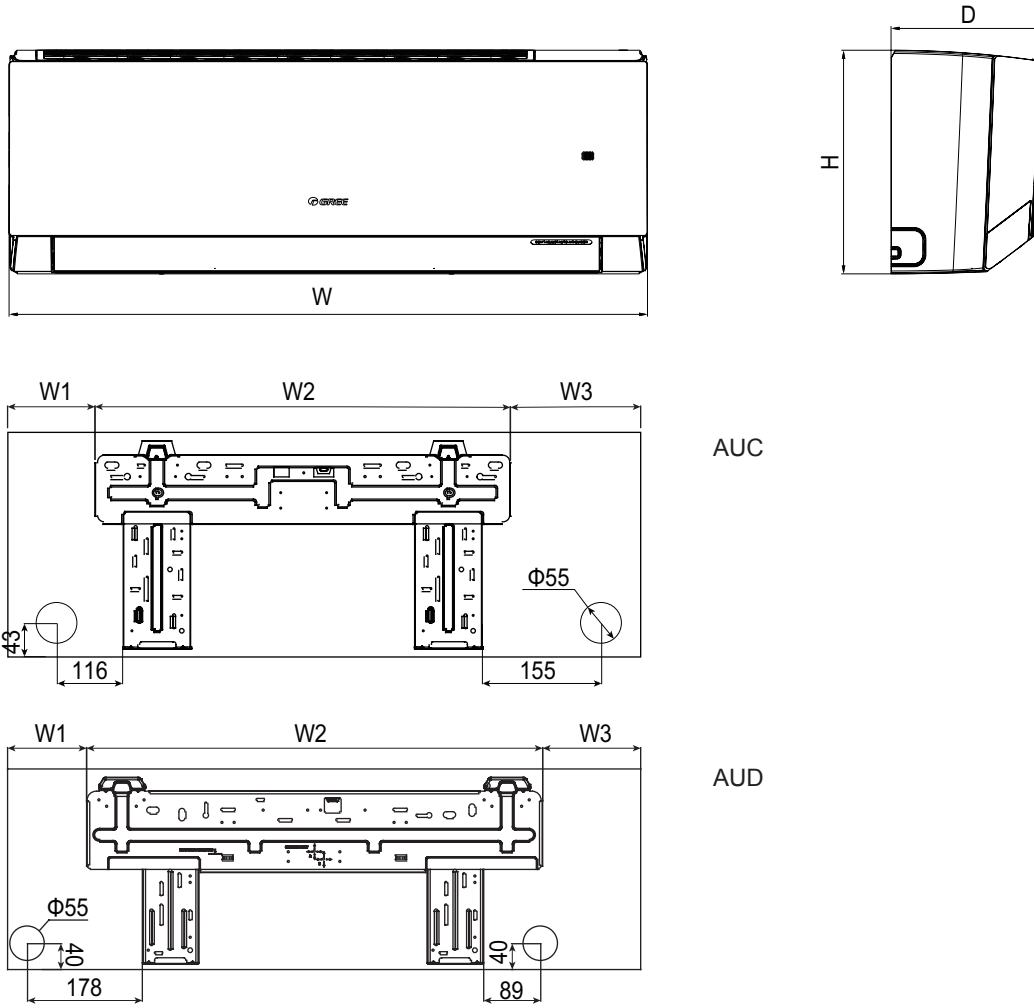
Model			1.GWH24AUDXF-K6DNA1A 2.GWH24AUDXF-K6DNA2A
Product Code			1.CB437004700/CB437004702/CB437004703/CB437004704/CB437004707 2.CB597000300/CB597000303
Power Supply	Rated Voltage	V~	220-240
	Rated Frequency	Hz	50
	Phases		1
Power Supply Mode			Outdoor
Cooling Capacity		W	7100
Heating Capacity		W	7300
Cooling Power Input		W	2030
Heating Power Input		W	1870
Cooling Current Input		A	9
Heating Current Input		A	9.3
Rated Input		W	3500
Rated Cooling Current		A	13
Rated Heating Current		A	14
Air Flow Volume		m ³ /h	1000/850/760/580/520/450/400/280
Dehumidifying Volume		L/h	2.40
EER		W/W	3.51
COP		W/W	3.90
SEER			7
SCOP(Average/WarmerColder)			4.30/5.50/3.40
Application Area		m ²	27-42
Indoor Unit	Model		1.GWH24AUDXF-K6DNA1A/I 2.GWH24AUDXF-K6DNA2A/I
	Product Code		1.CB437N04700/CB437N04702/CB437N04703/CB437N04704/CB437N04706 2.CB597N00300/CB597N00302
	Fan Type		Cross-flow
	Fan Diameter Length(DXL)	mm	Φ106×739
	Cooling Speed	r/min	1400/1200/1120/1050/980/860/750/550
	Heating Speed	r/min	1400/1200/1120/1050/950/850/750
	Fan Motor Power Output	W	45
	Fan Motor RLA	A	0.25
	Fan Motor Capacitor	μF	/
	Heater Power Input	W	/
	Evaporator Form		Aluminum Fin-copper Tube
	Evaporator Pipe Diameter	mm	Φ7
	Evaporator Row-fin Gap	mm	2-1.4
	Evaporator Coil Length (LXDXW)	mm	745×22.8×342.9
	Swing Motor Model		MP24AK/MP24HF/MP24BA
	Swing Motor Power Output	W	1.5/1.5/1.5
	Fuse Current	A	3.15
	Sound Pressure Level	dB (A)	Cooling:48/44/41/40/38/36/33/27 Heating:50/47/43/41/40/36/35
	Sound Power Level	dB (A)	Cooling:65/59/56/55/53/51/48/42 Heating:64/62/58/56/55/51/50
	Dimension (WXHXD)	mm	993×311×222
	Dimension of Carton Box (LXWXH)	mm	1050×377×288
Dimension of Package (LXWXH)	mm	1055×385×298	
Net Weight	kg	13	
Gross Weight	kg	15.5	

Outdoor Unit	Outdoor Unit Model		GWH24AUDXF-K6DNA1A/O(LCLH)	
	Outdoor Unit Product Code		CB437W04700	
	Compressor Manufacturer		ZHUHAI LANDA COMPRESSOR CO.,LTD	
	Compressor Model		QXFS-M180zX170	
	Compressor Oil		/	
	Compressor Type		Rotary	
	Compressor LRA.	A		24.00
	Compressor RLA	A		3.50
	Compressor Power Input	W		1350
	Compressor Overload Protector			HPC 115/95U1 KSD115°C
	Throttling Method			Electron expansion valve
	Set Temperature Range	°C		16~30
	Cooling Operation Ambient Temperature Range	°C		-15~50
	Heating Operation Ambient Temperature Range	°C		-25~30
	Condenser Form			Aluminum Fin-copper Tube
	Condenser Pipe Diameter	mm		Φ7.94
	Condenser Rows-fin Gap	mm		2-1.4
	Condenser Coil Length (LXDXW)	mm		934×38.1×616
	Fan Motor Speed	rpm		800
	Fan Motor Power Output	W		60
	Fan Motor RLA	A		0.65
	Fan Motor Capacitor	μF		/
	Outdoor Unit Air Flow Volume	m ³ /h		3600
	Fan Type			Axial-flow
	Fan Diameter	mm		Φ520
	Defrosting Method			Automatic Defrosting
	Climate Type			T1
	Isolation			I
	Moisture Protection			IPX4
	Permissible Excessive Operating Pressure for the Discharge Side	MPa		4.3
	Permissible Excessive Operating Pressure for the Suction Side	MPa		2.5
	Sound Pressure Level	dB (A)		59
	Sound Power Level	dB (A)		70
Dimension(WXHxD)	mm		958×660×402	
Dimension of Carton Box (LXWXH)	mm		1029×453×715	
Dimension of Package(LXWXH)	mm		1032×456×737	
Net Weight	kg		45	
Gross Weight	kg		49.5	
Refrigerant			R32	
Refrigerant Charge	kg		1.4	
Connection Pipe	Connection Pipe Length	m	5	
	Connection Pipe Gas Additional Charge	g/m	40	
	Outer Diameter Liquid Pipe		1/4"	
	Outer Diameter Gas Pipe		5/8"	
	Max Distance Height	m	10	
	Max Distance Length	m	25	
Note: The connection pipe applies metric diameter.				

The above data is subject to change without notice. Please refer to the nameplate of the unit.

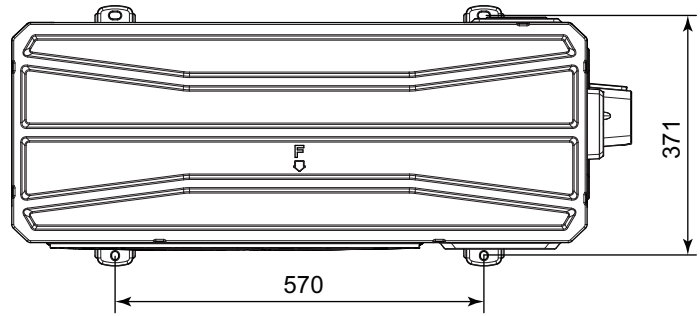
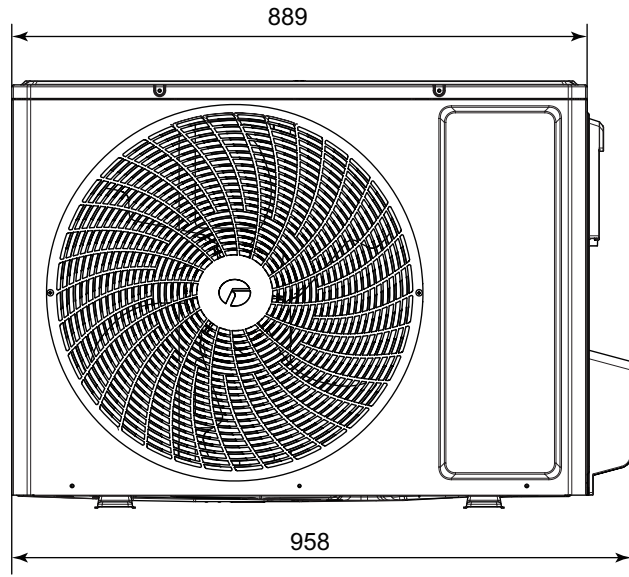
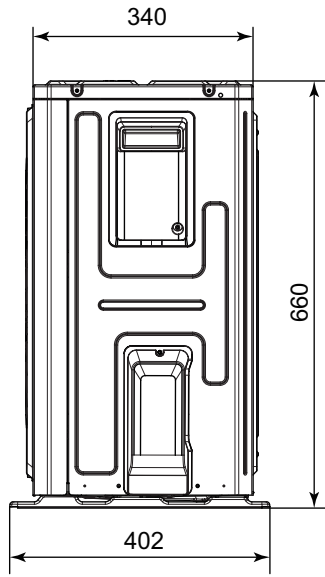
3. Outline Dimension Diagram

3.1 Indoor Unit



Model (-The first three characters)	W	H	D	W1	W2	W3
AUC	837	293	200	119	542	176
AUD	993	311	222	128	707.5	157.5

GWH24AFE-K6DNA2I/O



Unit:mm