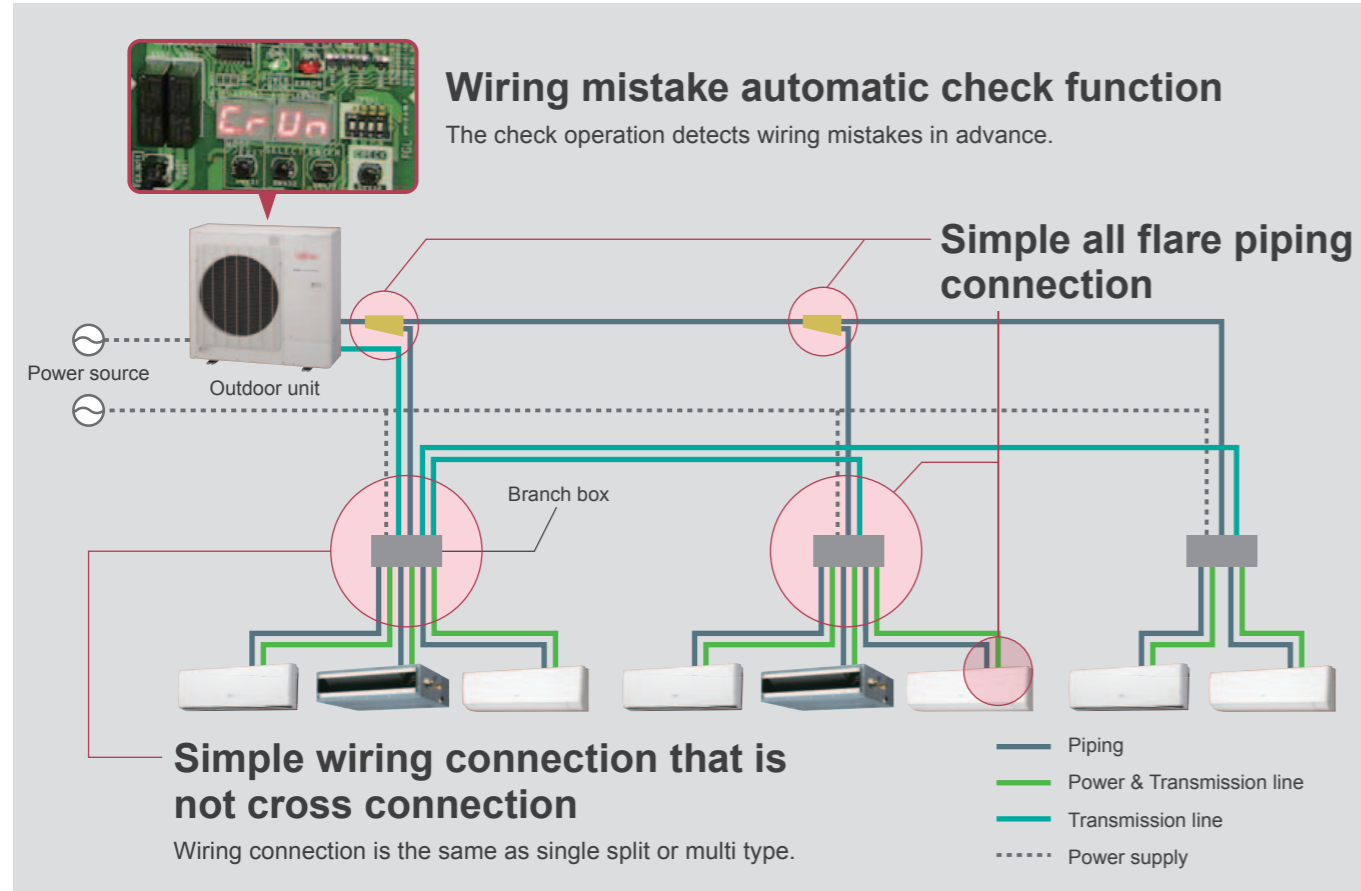


Easy Installation

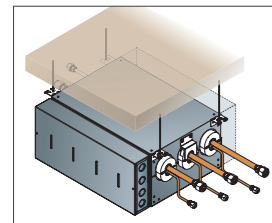


All flare piping connection and simple installation that minimizes wiring mistakes.

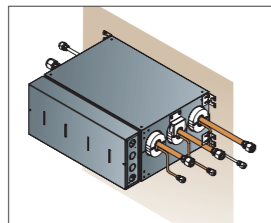


Branch Box

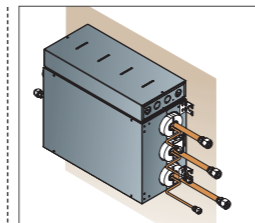
Allowed Branch Box Mounting Direction



Hanging from the ceiling
Do not hang from the ceiling when performing a vertical installation.



Horizontal Wall Mounting
Install the unit with its top side facing upwards.

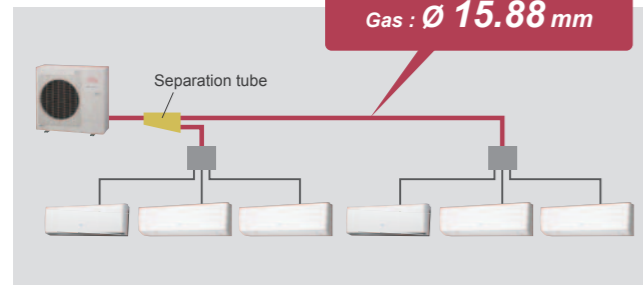


Vertical Wall Mounting
Install the unit with the control box facing upwards.

Common main pipe diameter

Common main pipe diameter improves piping workability.

Common
Liquid : \varnothing 9.52 mm
Gas : \varnothing 15.88 mm



Lightening of outdoor unit

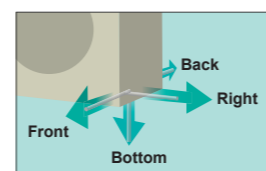
Easier to carry and install.

Can be carried by 2 people



4-way piping connection

Four directions piping connection is possible. The perfect route can be selected according to the installation.



Flexible Multi System Outdoor unit

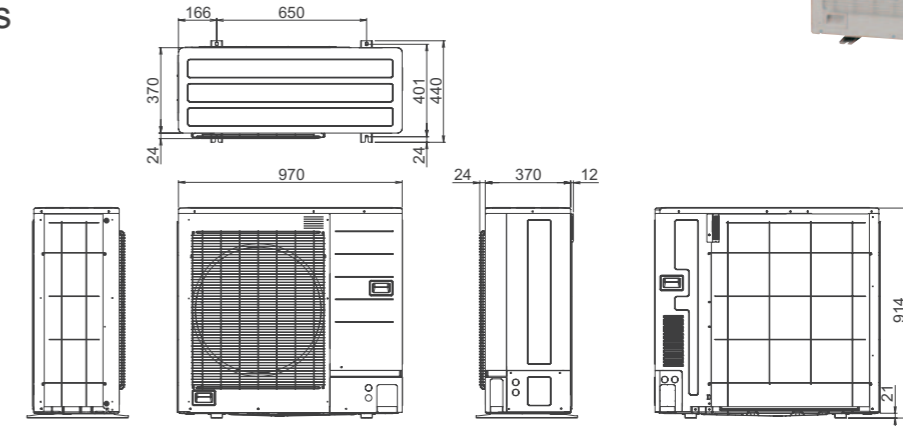
AOYG45LBT8 DC



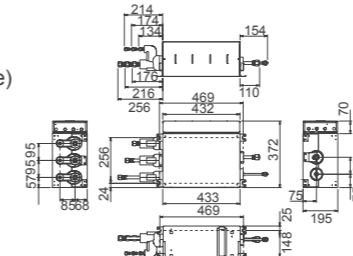
(Unit : mm)

Dimensions

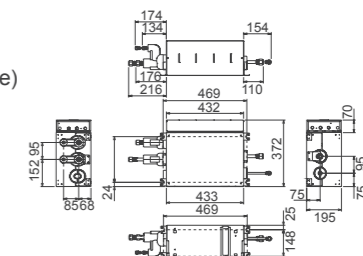
Outdoor Unit
AOYG45LBT8



Branch Box
UTP-PY03A
(3 branches type)



Branch Box
UTP-PY02A
(2 branches type)



Specifications

Model name		AOYG45LBT8	
Maximum Connectable Indoor Unit		8	
Indoor unit connectable capacity	Cooling	kW	11.2 - 18.2
Power source	V/ \varnothing /Hz		230/1/50
Rated Capacity	Cooling	kW	14.0
	Heating	kW	16.0
Input Power	Cooling	kW	5.20
	Heating	kW	5.07
Air flow rate	Cooling	m ³ /h	4,650
	Heating	m ³ /h	4,800
Sound pressure level	Cooling	dB(A)	56
	Heating	dB(A)	58
Heat exchanger fin		Plate fin coil	
Net Dimensions H x W x D		mm	914 x 970 x 370
Weight		kg(lbs)	98 (217)
Piping Connections (Small / Large)		mm	9.52/15.88
Max Pipe Length		m	115 (Total)
Max Height Difference (O.U ~ I.U)		m	30
Operating range	Cooling	$^{\circ}$ CDB	-5 to 46
	Heating	$^{\circ}$ CDB	-15 to 24
Refrigerant		R410A	

Model name		UTP-PY03A		UTP-PY02A	
Connectable indoor unit		1 to 3 Units		1 to 2 Units	
Power source		1 \varnothing 230V ~50Hz		1 \varnothing 230V ~50Hz	
Available voltage range		198-264V		198-264V	
Power consumption		W	10	W	10
Running current		A	0.05	A	0.05
Dimensions (HxWxD)		mm	195x433x370	mm	195x433x370
Weight		kg (lbs)	9 (20)	kg (lbs)	9 (20)
Connection pipe	Size	Liquid	mm	Main: 9.52x1, Branch:6.35x3	Main: 9.52x1, Branch:6.35x2
		Gas	mm	Main: 15.88x1, Branch:12.7x3	Main: 15.88x1, Branch:12.7x2
Method		Flare		Flare	

Note: Specifications are based on the following conditions.
Power source of specifications: 230V.