

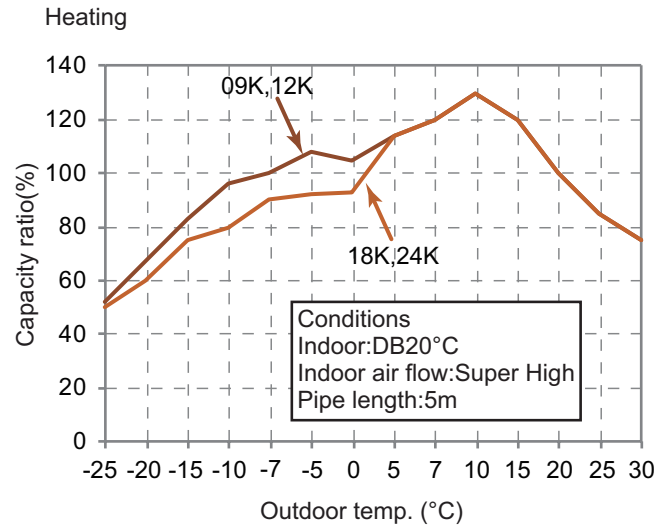
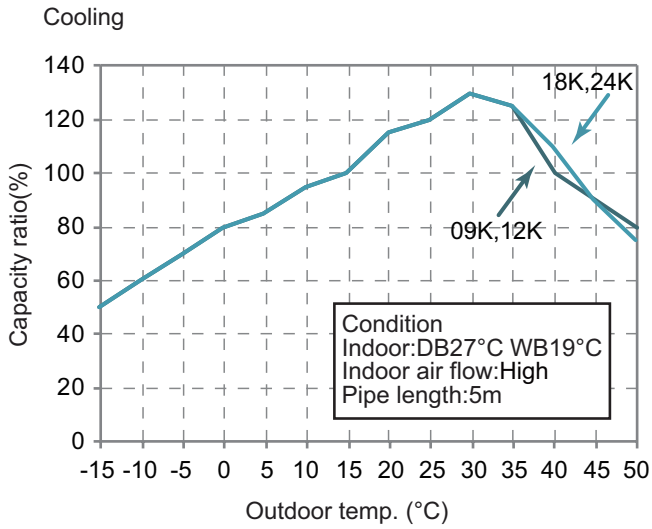
Model		-	GWH24AWEXF-K6DNA4A
Product Code		-	CB622003100/CB622003102
Power Supply	Rated Voltage	V~	220-240
	Rated Frequency	Hz	50
	Phases	-	1
Power Supply Mode		-	Outdoor
Cooling Capacity		W	7100
Heating Capacity		W	7800
Cooling Power Input		W	1868
Heating Power Input		W	1902
Cooling Current Input		A	8.7
Heating Current Input		A	9
Rated Input		W	Cooling: 2800 / Heating: 3700
Rated Cooling Current		A	12.3
Rated Heating Current		A	16.0
Air Flow Volume		m ³ /h	1250/1100/1000/950/900/850/800/600
Dehumidifying Volume		L/h	2.50
EER		W/W	3.80
COP		W/W	4.10
SEER		-	8.5
SCOP(Average/Warmer/Colder)		-	4.6/5.7/3.6
Application Area		m ²	23-34
Indoor Unit	Indoor Unit Model	-	GWH24AWEXF-K6DNA4A/I
	Indoor Unit Product Code	-	CB622N03100/CB622N03102
	Fan Type	-	Cross-flow
	Fan Diameter Length(DXL)	mm	Φ111.5×830
	Cooling Speed	r/min	1250/1100/1000/950/900/850/800/650
	Heating Speed	r/min	1400/1250/1100/1050/1000/900/850
	Fan Motor Power Output	W	60
	Fan Motor RLA	A	0.65
	Fan Motor Capacitor	μF	/
	Evaporator Form	-	Aluminum Fin-copper Tube
	Evaporator Pipe Diameter	mm	Φ7
	Evaporator Row-fin Gap	mm	2-1.4
	Evaporator Coil Length (LXDXW)	mm	840×25.4×381
	Swing Motor Model	-	MP24HF/MP35CP
	Swing Motor Power Output	W	1.5/2.5
	Fuse Current	A	3.15
	Sound Pressure Level	dB (A)	Cooling: 48/44/41/40/38/37/35/27 Heating: 50/47/43/41/40/38/36
	Sound Power Level	dB (A)	Cooling: 65/59/56/55/53/51/48/42 Heating: 64/62/58/56/55/51/50
	Dimension (WXHXD)	mm	1116X333X248
	Dimension of Carton Box (LXWXH)	mm	1193X416X341
Dimension of Package (LXWXH)	mm	1196X419X356	
Net Weight	kg	15.5	
Gross Weight	kg	18.5	

Outdoor Unit	Outdoor Unit Model	-	GWH24AVEXF-K6DNA1A/O
	Outdoor Unit Product Code	-	CB601W00200
	Compressor Manufacturer	-	ZHUHAI LANDA COMPRESSOR CO., LTD.
	Compressor Model	-	QXFS-A150zX170S
	Compressor Oil	-	FW68DA or equivalent
	Compressor Type	-	Rotary
	Compressor LRA.	A	35.00
	Compressor RLA	A	11.35
	Compressor Power Input	W	1330
	Compressor Overload Protector	-	/
	Throttling Method	-	Electron expansion valve
	Set Temperature Range	°C	16~30
	Cooling Operation Ambient Temperature Range	°C	-15~50
	Heating Operation Ambient Temperature Range	°C	-15~30
	Condenser Form	-	Aluminum Fin-copper Tube
	Condenser Pipe Diameter	mm	Φ7
	Condenser Rows-fin Gap	mm	2-1.4
	Condenser Coil Length (LXDXW)	mm	890×38.1×616
	Fan Motor Speed	rpm	800
	Fan Motor Power Output	W	60
	Fan Motor RLA	A	0.65
	Fan Motor Capacitor	μF	/
	Outdoor Unit Air Flow Volume	m ³ /h	3200
	Fan Type	-	Axial-flow
	Fan Diameter	mm	Φ520
	Defrosting Method	-	Automatic Defrosting
	Climate Type	-	T1
	Isolation	-	I
	Moisture Protection	-	IPX4
	Permissible Excessive Operating Pressure for the Discharge Side	MPa	4.3
	Permissible Excessive Operating Pressure for the Suction Side	MPa	2.5
	Sound Pressure Level	dB (A)	60
	Sound Power Level	dB (A)	70
Dimension (WXHXD)	mm	958X660X402	
Dimension of Carton Box (LXWXH)	mm	1029X453X715	
Dimension of Package (LXWXH)	mm	1032X456X737	
Net Weight	kg	42.5	
Gross Weight	kg	47	
Refrigerant	-	R32	
Refrigerant Charge	kg	1.4	
Connection Pipe	Connection Pipe Length	m	5
	Connection Pipe Gas Additional Charge	g/m	40
	Outer Diameter Liquid Pipe	inch	1/4
	Outer Diameter Gas Pipe	inch	5/8
	Max Distance Height	m	10
	Max Distance Length	m	25
	Note: The connection pipe applies metric diameter.		

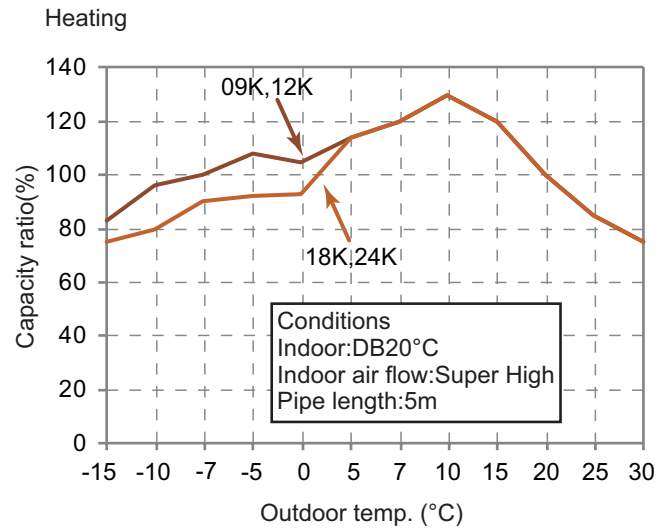
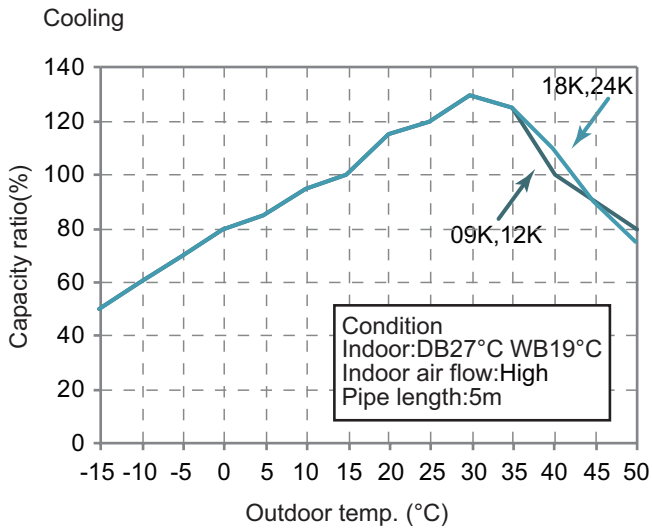
The above data is subject to change without notice. Please refer to the nameplate of the unit.

2.2 Capacity Variation Ratio According to Temperature

Heating operation ambient temperature range is -25°C~30°C

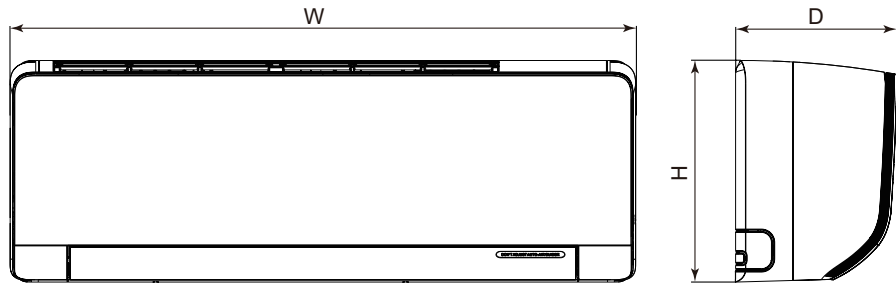


Heating operation ambient temperature range is -15°C~30°C

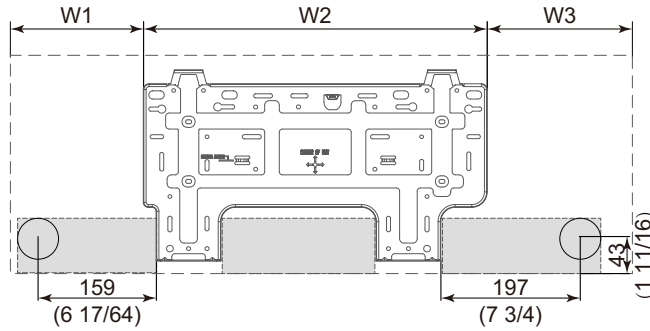


3. Outline Dimension Diagram

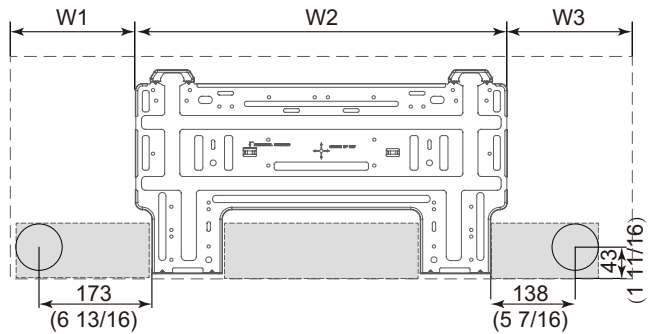
3.1 Indoor Unit



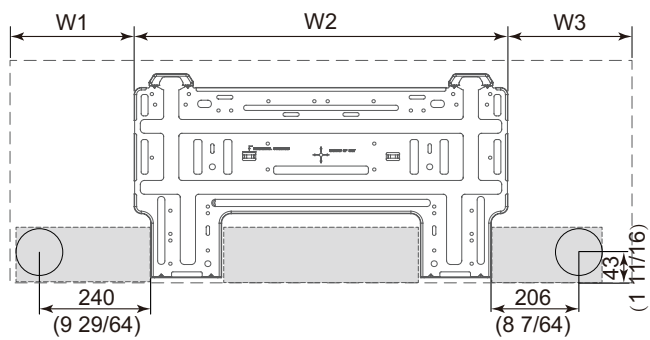
Unit: mm(inch)



AWC



AWD

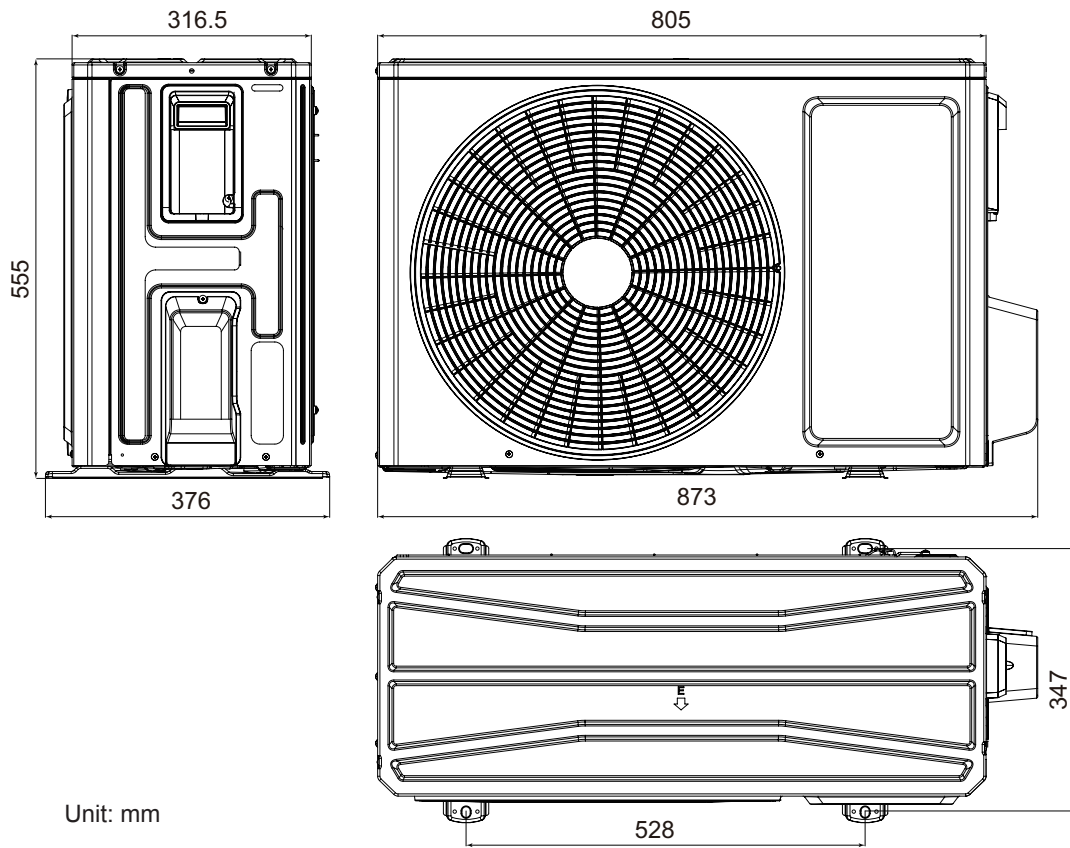


AWE

Unit: mm

Model	W	H	D	W1	W2	W3
AWC	867	276	206	195	462	210
AWD	978	333	248	209	561.5	207.5
AWE	1116	333	248	277.5	561.5	277

GWH18AWDXE-K6DNA4A/O



GWH24AVEXF-K6DNA1A/O

