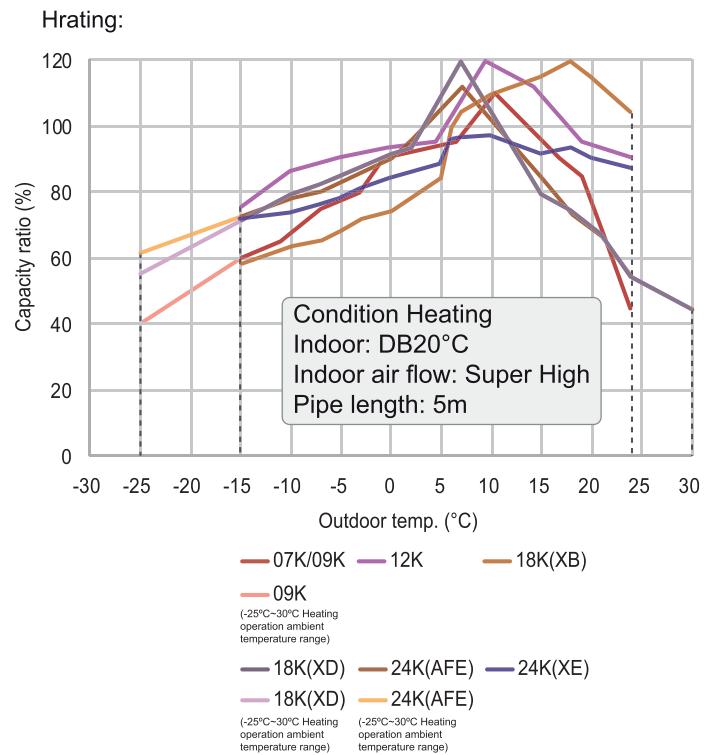
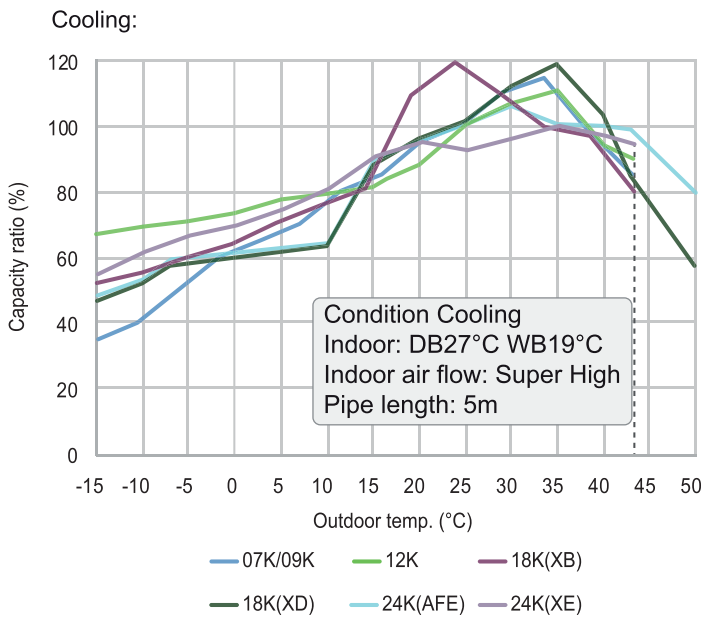


Model		-	SOH24CH-E32DA1A		
Product Code		-	CB574002900		
Power Supply	Rated Voltage	V~	220-240		
	Rated Frequency	Hz	50		
	Phases	-	1		
Power Supply Mode		-	Outdoor		
Cooling Capacity		W	6200		
Heating Capacity		W	6500		
Cooling Power Input		W	1786		
Heating Power Input		W	1645		
Cooling Power Current		A	7.6		
Heating Power Current		A	7.6		
Rated Input		W	2300		
Rated Cooling Current		A	11.5		
Rated Heating Current		A	11.5		
Air Flow Volume		m ³ /h	1050/900/740/690/640/590/540		
Dehumidifying Volume		L/h	1.8		
EER		W/W	3.47		
COP		W/W	3.95		
SEER		-	6.8		
SCOP (Average/Warmer/Colder)		-	4.0/5.1/-		
Application Area		m ²	23-34		
Indoor Unit	Model of indoor unit		-	SOH24CH-E32DA1A/I	
	Indoor Unit Product Code		-	CB574N02900	
	Fan Type		-	Cross-flow	
	Fan Diameter Length(DXL)		mm	108×691	
	Cooling Speed		r/min	1300/1200/1120/1050/980/860/750	
	Heating Speed		r/min	1250/1200/1120/1050/950/850/750	
	Fan Motor Power Output		W	45	
	Fan Motor RLA		A	0.24	
	Fan Motor Capacitor		μF	/	
	Evaporator Form		-	Aluminum Fin-copper Tube	
	Evaporator Pipe Diameter		mm	Φ7	
	Evaporator Row-fin Gap		mm	2-1.3	
	Evaporator Coil Length (LXD _X W)		mm	700×25.4×381	
	Swing Motor Model		-	MP24HF/MP35CJ	MP35CJ
	Swing Motor Power Output		W	1.5/2.5	2.5
	Fuse Current		A	3.15	
	Sound Pressure Level		dB (A)	Cooling: 50/46/44/42/40/36/32 Heating: 47/45/44/42/38/35/31	
	Sound Power Level		dB (A)	Cooling: 65/56/54/52/50/46/42 Heating: 65/55/54/52/48/45/41	
	Dimension (WXHXD)		mm	943X333X246	
	Dimension of Carton Box (LXWXH)		mm	996X397X312	
Dimension of Package (LXWXH)		mm	1001X405X322		
Net Weight		kg	13.5		
Gross Weight		kg	16		

Outdoor Unit	Outdoor Unit Model	-	SOH24CH-E32DA1A/O
	Outdoor Unit Product Code	-	CB574W02900
	Compressor Manufacturer	-	ZHUHAI LANDA COMPRESSOR CO., LTD.
	Compressor Model	-	FTz-SM151AXB
	Compressor Oil	-	FW68DA
	Compressor Type	-	Rotary
	Compressor LRA.	A	/
	Compressor RLA	A	6.06
	Compressor Power Input	W	1330
	Compressor Overload Protector	-	/
	Throttling Method	-	Capillary
	Set Temperature Range	°C	16~30
	Cooling Operation Ambient Temperature Range	°C	-15~43
	Heating Operation Ambient Temperature Range	°C	-15~24
	Condenser Form	-	Aluminum Fin-copper Tube
	Condenser Pipe Diameter	mm	Φ7.94
	Condenser Rows-fin Gap	mm	2-1.4
	Condenser Coil Length (LXD _{XW})	mm	848x38.1x528
	Fan Motor Speed	rpm	900
	Fan Motor Power Output	W	40
	Fan Motor RLA	A	0.7
	Fan Motor Capacitor	μF	/
	Outdoor Unit Air Flow Volume	m ³ /h	2800
	Fan Type	-	Axial-flow
	Fan Diameter	mm	Φ445
	Defrosting Method	-	Automatic Defrosting
	Climate Type	-	T1
	Isolation	-	I
	Moisture Protection	-	IPX4
	Permissible Excessive Operating Pressure for the Discharge Side	MPa	4.3
	Permissible Excessive Operating Pressure for the Suction Side	MPa	2.5
	Sound Pressure Level	dB (A)	58
	Sound Power Level	dB (A)	69
Dimension(WXHXD)	mm	873X555X376	
Dimension of Carton Box (LXWXH)	mm	948X428X591	
Dimension of Package(LXWXH)	mm	951X431X620	
Net Weight	kg	36.5	
Gross Weight	kg	39.5	
Refrigerant	-	R32	
Refrigerant Charge	kg	1.21	
Connection Pipe	Connection Pipe Length	m	5
	Connection Pipe Gas Additional Charge	g/m	16
	Outer Diameter Liquid Pipe	inch	1/4
	Outer Diameter Gas Pipe	inch	1/2
	Max Distance Height	m	10
	Max Distance Length	m	25
Note: The connection pipe applies metric diameter.			

The above data is subject to change without notice. Please refer to the nameplate of the unit.

2.2 Capacity Variation Ratio According to Temperature



2.3 Cooling and Heating Data Sheet in Rated Frequency

Cooling:

Rated cooling condition(°C) (DB/WB)		Model	Pressure of gas pipe connecting indoor and outdoor unit P (MPa)	Inlet and outlet pipe temperature of heat exchanger		Fan speed of indoor unit	Fan speed of outdoor unit
Indoor	Outdoor			T1 (°C)	T2 (°C)		
27/19	35/24	07K / 09K	0.8 ~ 1.1	12 ~ 15	68 ~ 38	Super High	High
27/19	35/24	18K	0.9 ~ 1.1	12 ~ 14	75 ~ 37	Super High	High
27/19	35/24	12K / 24K	0.9 ~ 1.1	12 ~ 14	75 ~ 37	Super High	High

Heating:

Rated heating condition(°C) (DB/WB)		Model	Pressure of gas pipe connecting indoor and outdoor unit P (MPa)	Inlet and outlet pipe temperature of heat exchanger		Fan speed of indoor unit	Fan speed of outdoor unit
Indoor	Outdoor			T1 (°C)	T2 (°C)		
20/-	7/6	07K / 09K	2.8 ~ 3.2	63 ~ 35	2 ~ 5	Super High	High
20/-	7/6	18K	2.2 ~ 2.4	70 ~ 40	1 ~ 5	Super High	High
20/-	7/6	12K / 24K	2.2 ~ 2.4	70 ~ 35	2 ~ 4	Super High	High

Instruction:

T1: Inlet and outlet pipe temperature of evaporator

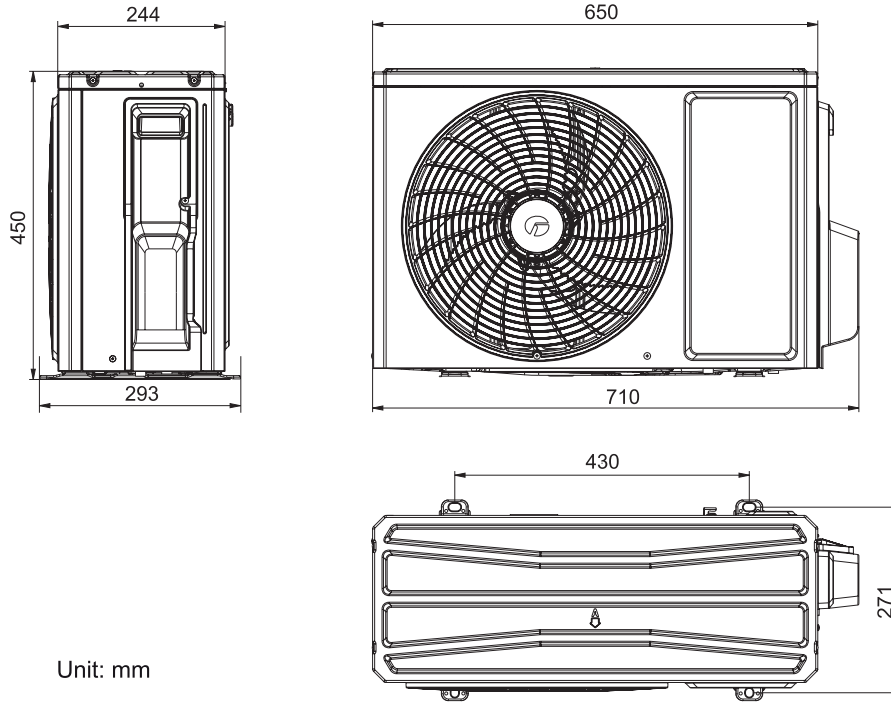
T2: Inlet and outlet pipe temperature of condenser

P: Pressure at the side of big valve

Connection pipe length: 5 m.

3.2 Outdoor Unit

07K



09K / 12K / 18K(XB)

