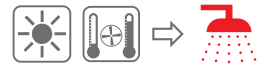


BOLLY® 1 XL

POLYWARM® COATED DOMESTIC HOT WATER CALORIFIER WITH 1 FIXED HEAT EXCHANGER



APPLICATION

Production and storage of domestic hot water (DHW).

MATERIAL

Mild steel Polywarm® coated (Attestation ACS - SSICA - DVGW - W270 - WRAS)

HEAT EXCHANGER

Mild steel Polywarm® coated heat exchangers.

INSULATION

High thermal insulation with ecological polyurethane hard foam.

Grey PVC external lining.

CATHODE PROTECTION

Magnesium anode.

DRAIN

External confluence through drain connection.

GASKET- FLANGE PLATE

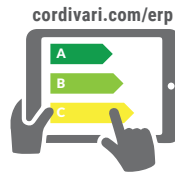
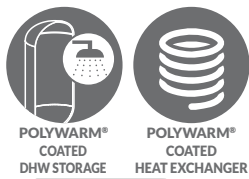
Silicone gaskets suitable for water intended for human consumption (tested according to 98/83/CE), max temperature up to 200°C. Mild steel inspection flange plate with Polywarm® treatment and connection for electric immersion heater.

WARRANTY

5 years - See general sales conditions and warranty

ACCESSORIES AND SPARE PARTS

See Accessories section for the entire list.



On line ErP label tool



BOLLY® 1 XL WB

Model	HARD FOAM insulation	HEAT EXCHANGER SURFACE [m ²]	ENERGY EFFICIENCY CLASS
	Art. Nr.		
200	3105162320702	2	B
300	3105162320703	3,4	B
400	3105162320706	4,4	C
500	3105162320705	5,4	C
800	3105162320710	6,0	B
1000	3105162320711	6,5	B



BOLLY® 1 XL WC

Model	DISMOUNTABLE SOFT FLEECE insulation	HEAT EXCHANGER SURFACE [m ²]	ENERGY EFFICIENCY CLASS
	Art. Nr.		
800	3103162321158	6,0	C
1000	3103162321159	6,5	C

For technical data and performance charts see CALORIFIERS FOR HEAT PUMPS section

ACCESSORIES

ELECTRIC IMMERSION HEATERS



Mod.	Heated volume by electric immersion heater [lt]
200	166
300	245
400	354
500	424
800	607
1000	783

MONOPHASE		
1,5 kW	2 kW	3 kW
5240000000051	5240000000052	5240000000053
Ignition time from 10 °C to 45 °C with electric immersion heaters [min]		
298	223	149
439	329	219
634	476	317
759	569	380
989	742	495
1275	956	638

"Easy Control" Electronic Display-mounted on tank

ART. NR.	FOR MODELS
5005000310002	WC
5005000310003	WB



Thermometer

Art. Nr.
5032240000107
5 units box



Titanium electronic anode

See Accessories section



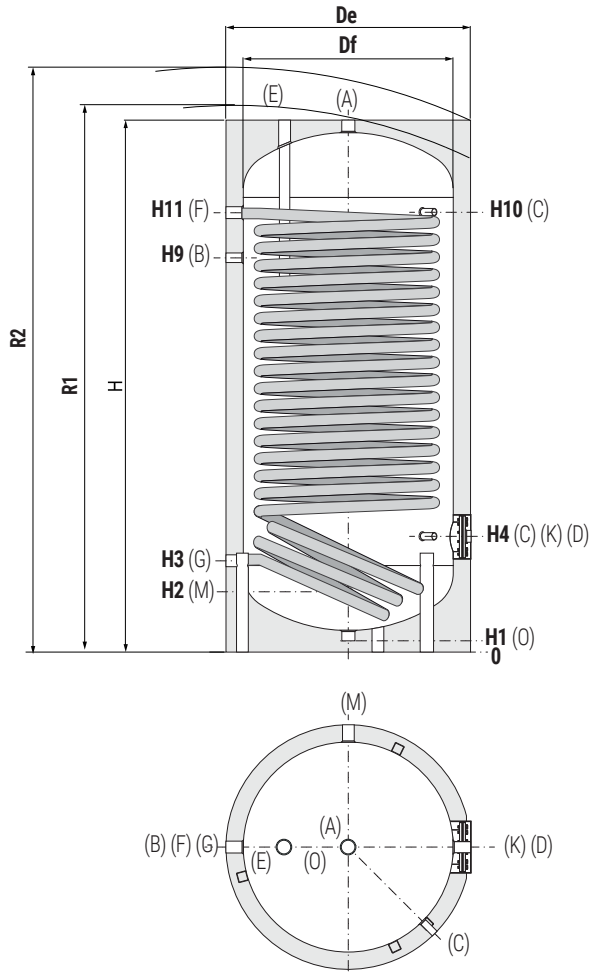
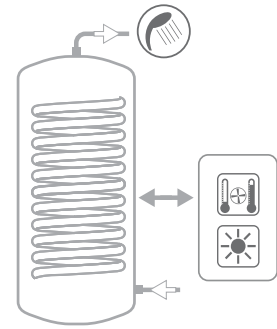
BOLLY® 1 XL

POLYWARM® COATED DOMESTIC HOT WATER CALORIFIER WITH 1 FIXED HEAT EXCHANGER

STORAGE		HEAT EXCHANGER	
Pmax	Tmax	Pmax	Tmax
10 bar	90 °C	12 bar	110 °C



CORDIVARI® Lab
 TÜV Rheinland Energie und Umwelt GmbH states that test procedures and Cordivari LAB are certified conforming to European standard EN 15332, as indicated by Ecodesign ErP Directive.



A	Domestic hot water outlet
B	Recirculation
C	Connection for instrumentation 1/2" F
D	Connection for electric immersion heater
E	Connection for magnesium anode 1"1/4 F
F	Primary circuit inlet 1"1/4 F
G	Primary circuit outlet 1"1/4 F
K	Blind flange for inspection
M	Domestic cold water circuit inlet
N	Connection for instrumentation 1/2" F
O	Drain 1"1/4 F, for models > 800 Lt 3/4" F

BOLLY® 1 XL WB - HARD FOAM INSULATION

Model	Volume [lt]	De	H	R2	H1	H2	H3	H4	H9	H10	H11	K	M	B	A	D
		[mm]											Connections F			
200	189	550	1440	1560	71	220	285	325	1055	1190	1190	Øi120/Øe180	3/4"	3/4"	1"1/4	1"1/2
300	291	650	1500	1650	71	246	321	381	1091	1211	1211	Øi120/Øe180	1"	1"	1"1/4	1"1/2
400	422	700	1766	1910	71	261	321	396	1316	1471	1471	Øi120/Øe180	1"	1"	1"1/4	1"1/5
500	498	750	1800	1960	71	271	346	411	1326	1486	1486	Øi120/Øe180	1"	1"	1"1/4	1"1/2
800	789	900	2180	2370	107	344	424	489	1604	1794	1814	Øi170/Øe240	1"	1"	1"1/4	2"
1000	1038	1000	2230	2460	95	365	445	505	1590	1825	1536	Øi170/Øe240	1"1/4	1"	1"1/2	2"

BOLLY® 1 XL WC - DISMOUNTABLE SOFT FLEECE INSULATION

Model	Volume [lt]	Df	De	H	R1	R2	H1	H2	H3	H4	H9	H10	H11	K	M	B	A	D
		[mm]													Connections F			
800	789	750	970	2180	2210	2400	107	344	424	489	1604	1794	1814	Øi170/Øe240	1"	1"	1"1/4	2"
1000	1038	850	1070	2230	2265	2480	95	365	445	505	1590	1825	1536	Øi170/Øe240	1"1/4	1"	1"1/2	2"