

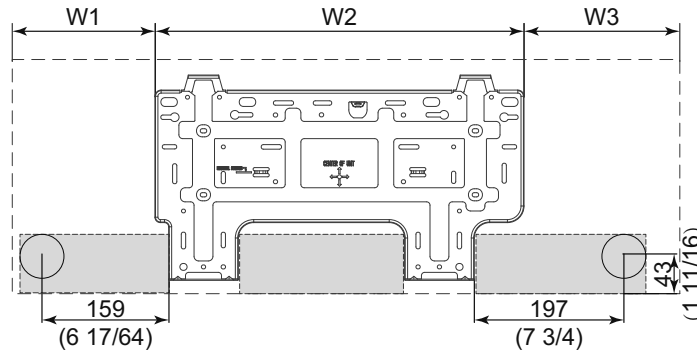
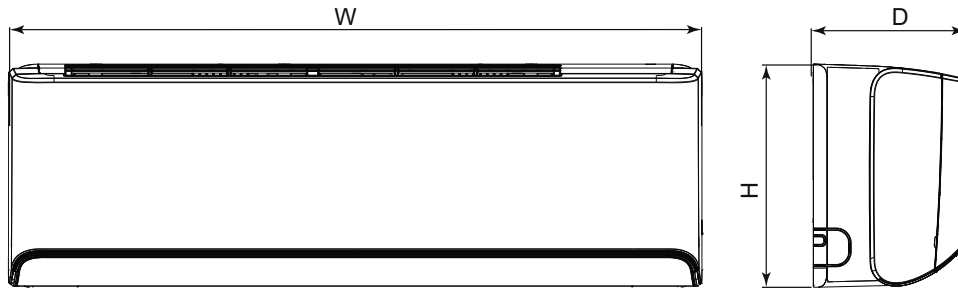
Model	-	GWH18AVDXE-K6DNA1A	
Product Code	-	CB601000300/CB601000304	CB601000301/CB601000305
Power Supply	Rated Voltage	V~	220-240
	Rated Frequency	Hz	50
	Phases	-	1
Power Supply Mode	-	Outdoor	
Cooling Capacity	W	5300	
Heating Capacity	W	5600	
Cooling Power Input	W	1472	
Heating Power Input	W	1365	
Cooling Power Current	A	6.6	
Heating Power Current	A	6.2	
Rated Input	W	2300	
Rated Cooling Current	A	11.5	
Rated Heating Current	A	11.5	
Air Flow Volume	m ³ /h	1100/1000/910/850/790/730/660/360	
Dehumidifying Volume	L/h	1.8	
EER	W/W	3.6	
COP	W/W	4.1	
SEER	-	8.5	
SCOP (Average/Warmer/Colder)	-	4.6/5.8/3.7	
Application Area	m ²	23-34	
Indoor Unit	Model of indoor unit	-	GWH18AVDXE-K6DNA1A/I
	Indoor Unit Product Code	-	CB601N00300/CB601N00304 CB601N00300/CB601N00304
	Fan Type	-	Cross-flow
	Fan Diameter Length(DXL)	mm	Φ108X691
	Cooling Speed	r/min	1080/1040/1000/960/800/700/650/500
	Heating Speed	r/min	1200/1150/1040/980/930/880/800
	Fan Motor Power Output	W	45
	Fan Motor RLA	A	0.25
	Fan Motor Capacitor	μF	/
	Evaporator Form	-	Aluminum Fin-copper Tube
	Evaporator Pipe Diameter	mm	Φ5
	Evaporator Row-fin Gap	mm	2-1.2
	Evaporator Coil Length (LXDXW)	mm	701×22.8×381
	Swing Motor Model	-	MP24HF / MP24AQ / MP35CV
	Swing Motor Power Output	W	1.5 / 1.5 / 2.5
	Fuse Current	A	3.15
	Sound Pressure Level	dB (A)	Cooling: 45/43/42/41/35/31/28/23 Heating: 47/45/42/40/39/37/34
	Sound Power Level	dB (A)	Cooling: 60/58/57/56/50/46/43/38 Heating: 60/58/55/53/52/50/47
	Dimension (WXHXD)	mm	970X347X257
	Dimension of Carton Box (LXWXH)	mm	1022X411X329
Dimension of Package (LXWXH)	mm	1027X419X339	
Net Weight	kg	15	
Gross Weight	kg	17.5	

Outdoor Unit	Outdoor Unit Model	-	GWH18AVDXE-K6DNA1A/O		
	Outdoor Unit Product Code	-	CB601W00300	CB601W00301	
	Compressor Manufacturer	-	ZHUHAI LANDA COMPRESSOR CO., LTD.		
	Compressor Model	-	QXF-M130zF170		
	Compressor Oil	-	FW68DA or equivalent		
	Compressor Type	-	Rotary		
	Compressor L.R.A.	A	20		
	Compressor RLA	A	5.36		
	Compressor Power Input	W	1196		
	Compressor Overload Protector	-	/		
	Throttling Method	-	Electron expansion valve		
	Set Temperature Range	°C	Cooling mode: 16~30 / Heating mode: 8~30		
	Cooling Operation Ambient Temperature Range	°C	-15~50		
	Heating Operation Ambient Temperature Range	°C	-25~30	-15~30	
	Condenser Form	-	Aluminum Fin-copper Tube		
	Condenser Pipe Diameter	mm	Φ7.94		
	Condenser Rows-fin Gap	mm	2-1.4		
	Condenser Coil Length (LXD _{XW})	mm	833×38.1×528		
	Fan Motor Speed	rpm	970		
	Fan Motor Power Output	W	40		
	Fan Motor RLA	A	0.7		
	Fan Motor Capacitor	μF	/		
	Outdoor Unit Air Flow Volume	m ³ /h	3000		
	Fan Type	-	Axial-flow		
	Fan Diameter	mm	Φ445		
	Defrosting Method	-	Automatic Defrosting		
	Climate Type	-	T1		
	Isolation	-	I		
	Moisture Protection	-	IPX4		
	Permissible Excessive Operating Pressure for the Discharge Side	MPa	4.3		
	Permissible Excessive Operating Pressure for the Suction Side	MPa	2.5		
	Sound Pressure Level	dB (A)	59		
	Sound Power Level	dB (A)	65		
Dimension(WXHXD)	mm	873X555X376			
Dimension of Carton Box (LXWXH)	mm	948X428X591			
Dimension of Package(LXWXH)	mm	951X431X620			
Net Weight	kg	37			
Gross Weight	kg	40			
Refrigerant	-	R32			
Refrigerant Charge	kg	0.95			
Connection Pipe	Connection Pipe Length	m	5		
	Connection Pipe Gas Additional Charge	g/m	16		
	Outer Diameter Liquid Pipe	inch	1/4		
	Outer Diameter Gas Pipe	inch	1/2		
	Max Distance Height	m	10		
	Max Distance Length	m	25		
Note: The connection pipe applies metric diameter.					

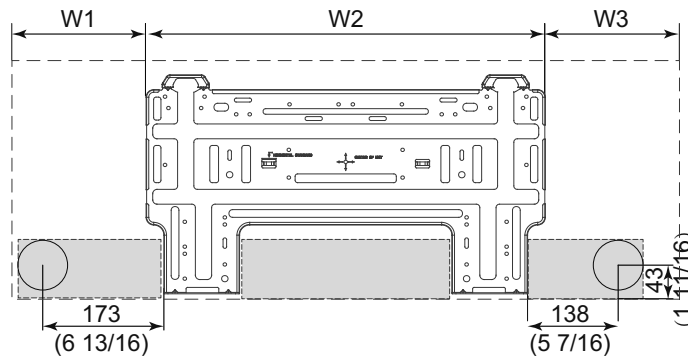
The above data is subject to change without notice. Please refer to the nameplate of the unit.

3. Outline Dimension Diagram

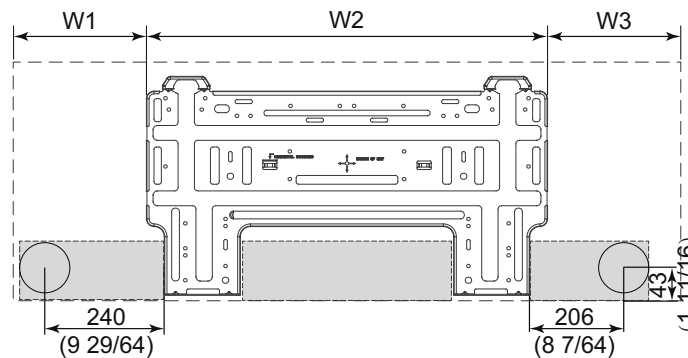
3.1 Indoor Unit



AVC



AVD



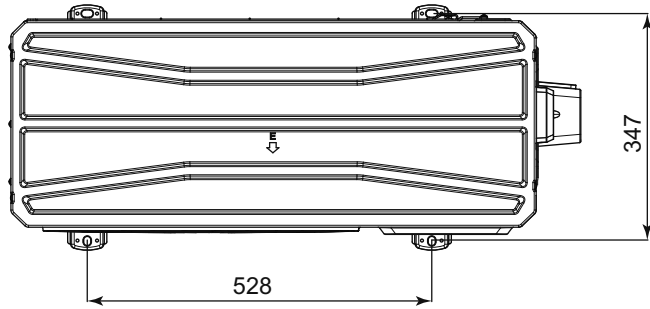
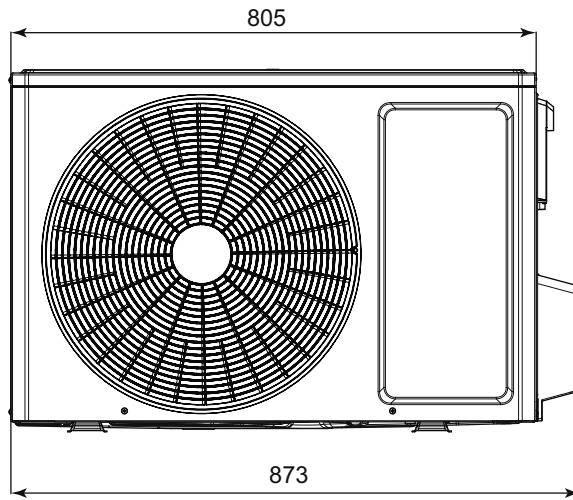
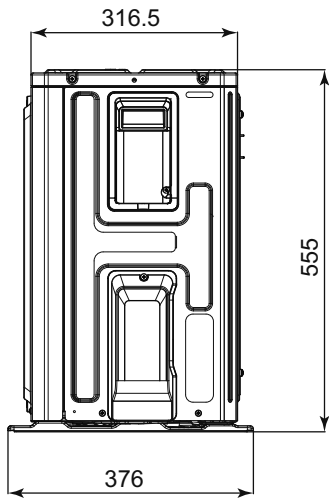
AVE

Unit: mm(inch)

Unit: mm

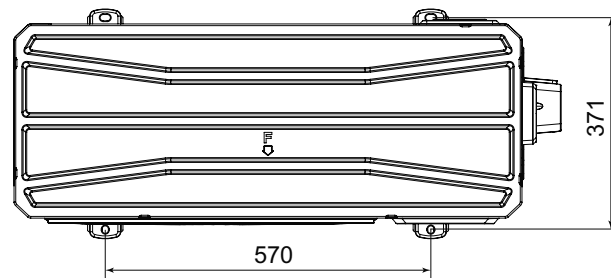
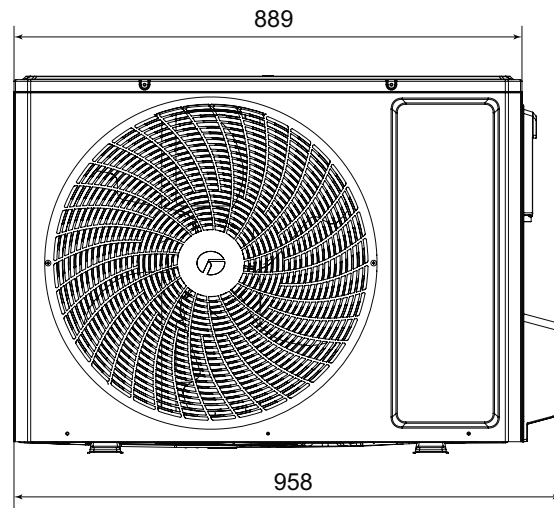
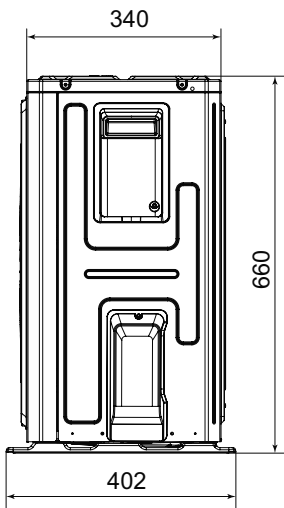
Model	W	H	D	W1	W2	W3
AVC	907	292	200	216	462	229
AVD	970	347	257	205.3	561.5	203.2
AVE	1110	347	257	275.4	561.5	273.1

18K



Unit: mm

24K



Unit: mm