

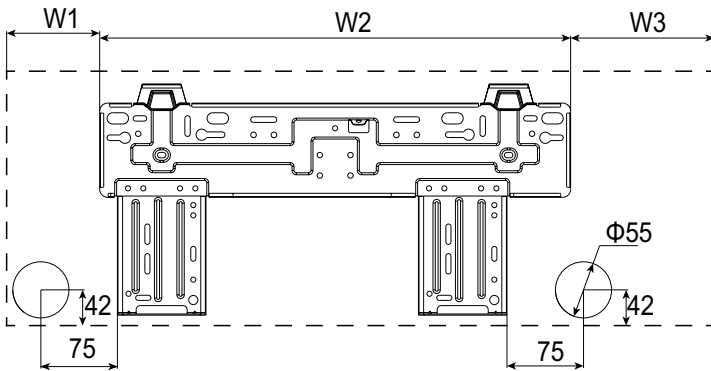
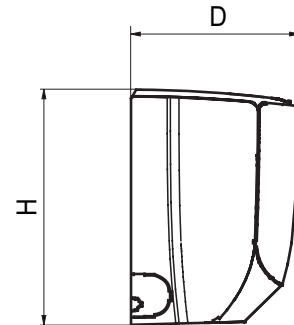
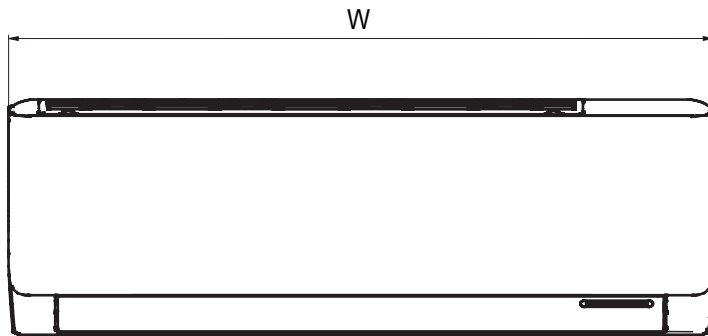
Model			GWH18AGD-K6DNA1D	GWH18AGD-K6DNA1D
Product Code			CB385008300 CB385008301	CB385008302
Power Supply	Rated Voltage	V~	220-240	220-240
	Rated Frequency	Hz	50	50
	Phases		1	1
Power Supply Mode			Outdoor	Outdoor
Cooling Capacity		W	4600	4600
Heating Capacity		W	5200	5200
Cooling Power Input		W	1355	1355
Heating Power Input		W	1340	1340
Cooling Power Current		A	5.9	5.9
Heating Power Current		A	5.8	5.8
Rated Input		W	1900	1900
Rated Current		A	8	8
Rated Heating Current		A	9	9
Air Flow Volume(SS/H/MH/M/ML/L/SL)		m ³ /h	910/850/780/740/700/650/610	910/850/780/740/700/650/610
Dehumidifying Volume		L/h	1.8	1.8
EER		W/W	3.39	3.39
COP		W/W	3.88	3.88
SEER		W/W	6.4	6.4
SCOP(Average/Warmer/Colder)			4.0/5.1/-	4.0/5.1/-
HSPF			/	/
Application Area		m ²	21-31	21-31
Indoor Unit	Indoor Unit Model		GWH18AGD-K6DNA1D/I	GWH18AGD-K6DNA1D/I
	Indoor Unit Product Code		CB385N08300 CB385N08301	CB385N08302
	Fan Type		Cross-flow	Cross-flow
	Diameter Length(DXL)		mm	Φ106X739
	Fan Motor Cooling Speed(SS/H/MH/M/ML/L/SL)		r/min	1230/1050/980/900/850/800/750
	Fan Motor Heating Speed(SS/H/MH/M/ML/L/SL)		r/min	1200/1050/980/900/850/800/750
	Output of Fan Motor		W	35
	Fan Motor RLA		A	0.45
	Fan Motor Capacitor		μF	2.5
	Input of Heater		W	/
	Evaporator Form			Aluminum Fin-copper Tube
	Pipe Diameter		mm	Φ5
	Row-fin Gap		mm	2-1.3
	Coil Length (LXDXW)		mm	745X22.8X342.9
	Swing Motor Model			MP24BA/MP24AK/MP24HF
	Output of Swing Motor		W	1.5/1.5 /1.5
	Fuse		A	3.15
	Sound Pressure Level(SS/H/MH/M/ML/L/SL)		dB (A)	Cooling:43/39/37/34/32/30/29 Heating:44/40/37/34/32/30/29
	Sound Power Level(SS/H/MH/M/ML/L/SL)		dB (A)	Cooling:56/52/50/47/45/43/42 Heating:57/53/50/47/45/43/42
	Dimension (WXHXD)		mm	982X311X221
	Dimension of Carton Box (LXWXH)		mm	1039X377X287
	Dimension of Package (LXWXH)		mm	1044X385X297
	Net Weight		kg	13.5
Gross Weight		kg	16	

Outdoor Unit	Model of Outdoor Unit		GWH18AGD-K6DNA1D/O	
	Product Code of Outdoor Unit		CB385W08300	
	Compressor Manufacturer/Trademark		ZHUHAI LANDA COMPRESSOR CO., LTD	
	Compressor Model		FTz-AN108ACBD	
	Compressor Oil		FW68DA or equivalent	
	Compressor Type		Rotary	
	L.R.A.	A		19
	Compressor RLA	A		4.4
	Compressor Power Input	W		952
	Overload Protector			/
	Throttling Method			Capillary
	Operation Temp	°C		16~30
	Ambient Temp (Cooling)	°C		-15~43
	Ambient Temp (Heating)	°C		-15~24
	Condenser Form			Aluminum Fin-copper Tube
	Pipe Diameter	mm		Φ7
	Rows-fin Gap	mm		2-1.4
	Coil Length (LXD _X W)	mm		700X38.1X528
	Fan Motor Speed	rpm		900
	Output of Fan Motor	W		30
	Fan Motor RLA	A		0.40
	Fan Motor Capacitor	μF		/
	Air Flow Volume of Outdoor Unit	m ³ /h		1950
	Fan Type			Axial-flow
	Fan Diameter	mm		Φ400
	Defrosting Method			Automatic Defrosting
	Climate Type			T1
	Isolation			I
	Moisture Protection			IPX4
	Permissible Excessive Operating Pressure for the Discharge Side	MPa		4.3
	Permissible Excessive Operating Pressure for the Suction Side	MPa		2.5
	Sound Pressure Level (H/M/L)	dB (A)		55/-/-
Sound Power Level (H/M/L)	dB (A)		65/-/-	
Dimension (WXHXD)	mm		732X550X330	
Dimension of Carton Box (LXWXH)	mm		789X390X600	
Dimension of Package (LXWXH)	mm		792X393X615	
Net Weight	kg		26.5	
Gross Weight	kg		29	
Refrigerant			R32	
Refrigerant Charge	kg		0.75	
Connection Pipe	Length	m	5	
	Gas Additional Charge	g/m	16	
	Outer Diameter Liquid Pipe	inch	1/4	
	Outer Diameter Gas Pipe	inch	1/2	
	Max Distance Height	m	10	
	Max Distance Length	m	25	
	Note: The connection pipe applies metric diameter.			

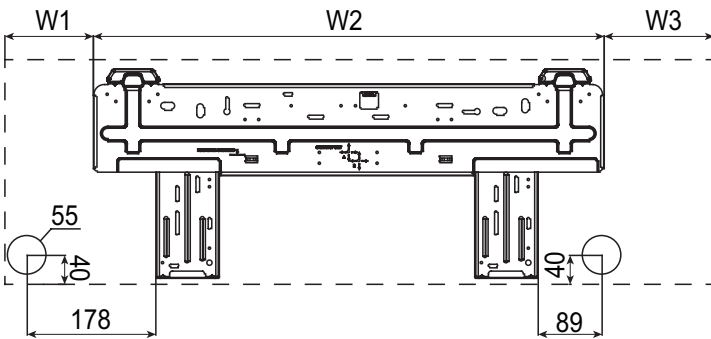
The above data is subject to change without notice; please refer to the nameplate of the unit.

3. Outline Dimension Diagram

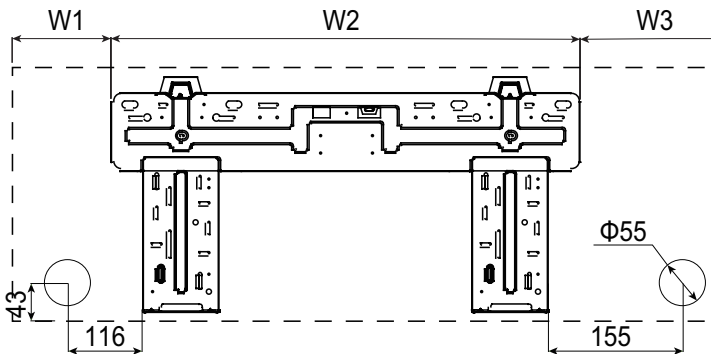
3.1 Indoor Unit



AGA/AGB



AGD



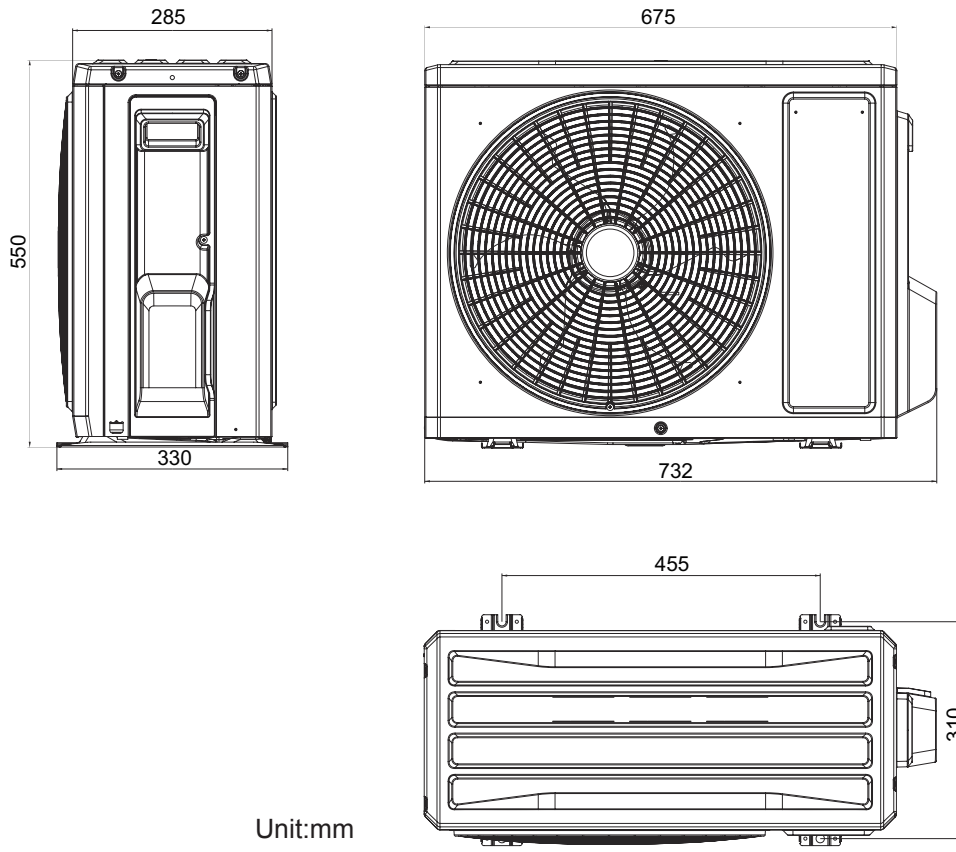
AGC

Unit:mm

Model	W	H	D	W1	W2	W3
AGA	704	260	185	93	462	149
AGB	779	260	185	133.5	462	183.5
AGC	825	293	196	113	542	170
AGD	982	311	221	122.5	707.5	152

3.2 Outdoor Unit

09/12K
GWH18AGD-K6DNA1D/O



GWH18AGD-K6DNA1A/O

