

SUPPLY AND EXHAUST METAL GRILLES





**Supply and exhaust
single-row metal grilles**

MVM Series
MVMP Series

page
252



**Supply and exhaust
multiple-row metal grilles**

MVMP Series

page
254



**Supply and exhaust
slot metal grilles**

MVMP Series

page
256



**Supply and exhaust
single-row metal edge-raised grilles**

MVMPO Series

page
257



**Supply and exhaust
multiple-row metal edge-raised grilles**

MVMPO Series

page
258



**Supply and exhaust
metal slot edge-raised grilles**

MVMPO Series

page
260



**Supply and exhaust
metal regulated grilles**

MVMPO...R Series

page
261



Supply and exhaust regulated slot metal grilles

MVMPO...Rr Series
MVMPO...R Series

page
262



Supply and exhaust metal door grilles

MVM Series

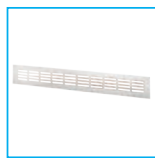
page
263



Supply and exhaust metal door grilles

MVMP Series

page
264



Supply and exhaust metal door grilles

MVMA Series

page
265



Supply and exhaust metal grille

MVM-50 S A Series

page
266



Supply and exhaust metal grille

MVM...bV A Series

page
267



Supply and exhaust metal grille

MVM...bV N Series

page
268



Supply and exhaust metal grille

MVM...b N Series

page
269



Supply and exhaust metal hoods

MVM... bVs N / bV N Series








page
270



Exhaust gravity metal grille

MVM...VJ N Series

page
272

	<p>Exhaust metal hoods MVM...V N Series</p>	<p>page 273</p>
	<p>Supply and exhaust metal grille MVM...bVL A Series</p>	<p>page 274</p>
	<p>Supply and exhaust metal grille MVM...VR N Series</p>	<p>page 275</p>
	<p>Supply and exhaust metal grille MVMP...R N / R A Series</p>	<p>page 276</p>
	<p>Supply and exhaust metal grille MVMO...b Series</p>	<p>page 278</p>
	<p>Supply and exhaust metal grille MVMO...bV Series</p>	<p>page 279</p>
	<p>Supply and exhaust metal grille MVMO...bS K1 Series</p>	<p>page 281</p>

SUPPLY AND EXHAUST SINGLE-ROW GRILLES

MVM Series



Application

- Decoration of exhaust vents of public, residential and industrial ventilation systems.
- For supply ventilation and air conditioning.
- Used for correct air flow distribution in premises.
- Internal or external wall and ceiling mounting.

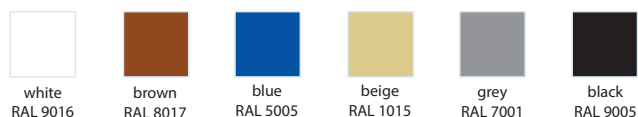
Design

- Made of steel, galvanized steel or aluminium and are suitable for colourful polymer painting.
- Screw fixing.
- Quality materials and zinc-phosphate treatment ensure coating integrity and provide reliable corrosion protection.
- Modifications with a protecting insect screen are available.

Modifications

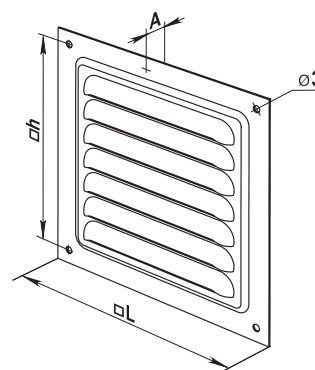
- **MVM ...** – basic steel models with white polymer coating.
- **MVM ... s** – steel models with white polymer coating and a protecting insect screen.
- **MVM ... A** – aluminium grille models with white polymer coating.
- **MVM ... s A** – aluminium models with white polymer coating and protecting insect screen.
- **MVM ... A (no/p)** – aluminium grille models.
- **MVM ... s A (no/p)** – aluminium models with a protecting insect screen.
- **MVM ... Zn** – galvanized steel grille models.
- **MVM ... s Zn** – galvanized steel models with a protecting insect screen.
- **MVM ... «colour code»** – colourful polymer painted models.

Colour modifications



Overall dimensions

Model	Dimensions [mm]			Air pass, [m ²]
	□L	□h	A	
MVM 125	125	111	0.8	0.0035
MVM 150	150	136	0.8	0.0060
MVM 200	200	182	0.8	0.0117
MVM 250	250	234	0.8	0.0166
MVM 300	300	284	0.8	0.0249



**MVMP
Series**



Application

- Decoration of exhaust vents of public, residential and industrial ventilation systems.
- For ventilation, air conditioning and heating.
- Used for correct air flow distribution in premises.
- Internal or external wall and ceiling mounting.

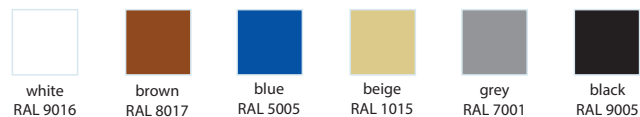
Design

- Made of steel, galvanized steel or aluminium and are suitable for colourful polymer painting.
- Screw fixing.
- Quality materials and zinc-phosphate treatment ensure coating integrity and provide reliable corrosion protection.
- Modifications with a protecting insect screen are available.

Modifications

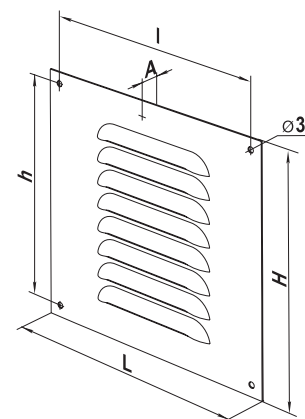
- **MVMP ...** – basic steel models with white polymer coating.
- **MVMP ...s** – steel models with white polymer coating and a protecting insect screen.
- **MVMP ... A** – aluminium grille models with white polymer coating.
- **MVMP ... s A** – aluminium models with white polymer coating and protecting insect screen.
- **MVMP ... A (no/p)** – aluminium grille models.
- **MVMP ... s A (no/p)** – aluminium models with a protecting insect screen.
- **MVMP ...Zn** – galvanized steel grille models.
- **MVMP ... s Zn** – galvanized steel models with a protecting insect screen.
- **MVMP ... «colour code»** – colourful polymer painted models.

Colour modifications



Overall dimensions

Model	Dimensions [mm]					Air pass, [m ²]
	L	H	l	h	A	
MVMP 70	70	70	56	56	0.8	0.0009
MVMP 70x140	70	140	56	126	0.8	0.0018
MVMP 100	100	100	86	86	0.8	0.0018
MVMP 100x200	100	200	86	186	0.8	0.0050
MVMP 100x300	100	300	86	288	0.8	0.0081
MVMP 125	125	125	111	111	0.8	0.0028
MVMP 130x90	130	90	116	76	0.8	0.0019
MVMP 130x170	130	170	116	156	0.8	0.0045
MVMP 140	140	140	126	126	0.8	0.0036
MVMP 150	150	150	136	136	0.8	0.0036
MVMP 150x200	150	200	136	186	0.8	0.0054
MVMP 150x210	150	210	136	196	0.8	0.0054
MVMP 150x215	150	215	136	201	0.8	0.0059
MVMP 150x250	150	250	136	236	0.8	0.0069
MVMP 150x300	150	300	136	286	0.8	0.0081
MVMP 150x350	150	350	136	336	0.8	0.0096
MVMP 155	155	155	141	141	0.8	0.0044
MVMP 170	170	170	156	156	0.8	0.0053
MVMP 175	175	175	161	161	0.8	0.0045
MVMP 175x250	175	250	161	236	0.8	0.0068
MVMP 180x90	180	90	166	76	0.8	0.0030
MVMP 180x250	180	250	166	236	0.8	0.0083
MVMP 190x170	190	170	176	156	0.8	0.0059



SUPPLY AND EXHAUST MULTIPLE-ROW METAL GRILLES

MVMP Series



Application

- Decoration of exhaust vents of public, residential and industrial ventilation systems.
- For ventilation, air conditioning and heating.
- Used for correct air flow distribution in premises.
- Internal or external wall and ceiling mounting.

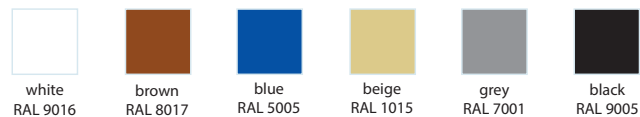
Design

- Made of polymer-coated, galvanized steel or aluminium.
- Screw fixing.
- Quality materials and zinc-phosphate treatment ensure coating integrity and provide reliable corrosion protection.
- Modifications with a protecting insect screen are available.

Modifications

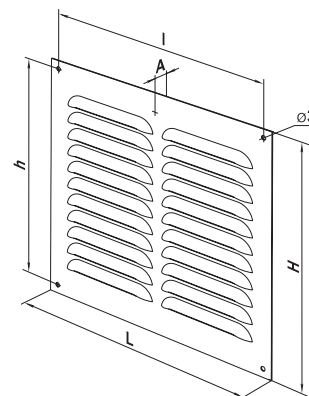
- **MVMP ...** – basic steel models with white polymer coating.
- **MVMP ... s** – steel models with white polymer coating and a protecting insect screen.
- **MVMP ... A** – aluminium grille models with white polymer coating.
- **MVMP ... s A** – aluminium models with white polymer coating and protecting insect screen.
- **MVMP ... A (no/p)** – aluminium grille models.
- **MVMP ... s A (no/p)** – aluminium models with a protecting insect screen.
- **MVMP ... Zn** – galvanized steel grille models.
- **MVMP ... s Zn** – galvanized steel models with a protecting insect screen.
- **MVMP ... «colour code»** – colourful polymer painted models.

Colour modifications

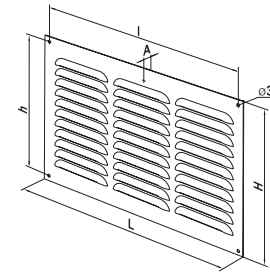


Overall dimensions

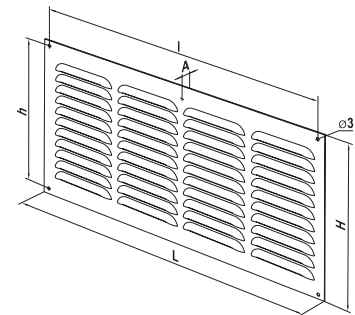
Model	Dimensions [mm]					Air pass, [m ²]	Number of rows
	L	H	l	h	A		
MVMP 195/2	195	195	181	181	0.8	0.0070	2
MVMP 195x245/2	195	245	181	231	0.8	0.0088	2
MVMP 200x100/2	200	100	186	186	0.8	0.0036	2
MVMP 200/2	200	200	186	186	0.8	0.0099	2
MVMP 200x250/2	200	250	186	238	0.8	0.0093	2
MVMP 200x300/2	200	300	186	286	0.8	0.0162	2
MVMP 200x350/2	200	350	186	336	0.8	0.0129	2
MVMP 200x405/2	200	405	186	391	0.8	0.0149	2
MVMP 215x150/2	215	150	201	136	0.8	0.0059	2
MVMP 240/2	240	240	226	226	0.8	0.0126	2
MVMP 240x140/2	240	140	226	126	0.8	0.0063	2
MVMP 240x190/2	240	190	226	176	0.8	0.0099	2
MVMP 245x195/2	245	195	231	181	0.8	0.0088	2
MVMP 250/2	250	250	236	236	0.8	0.0135	2
MVMP 250x80/2	250	80	236	66	0.8	0.0037	2
MVMP 250x110/2	250	110	236	96	0.8	0.0051	2
MVMP 250x140/2	250	140	236	126	0.8	0.0064	2
MVMP 250x150/2	250	150	236	136	0.8	0.0069	2
MVMP 250x170/2	250	170	236	156	0.8	0.0078	2
MVMP 250x200/2	250	200	236	186	0.8	0.0092	2
MVMP 250x300/2	250	300	236	286	0.8	0.0171	2
MVMP 250x350/2	250	350	236	336	0.8	0.0161	2
MVMP 250x400/2	250	400	236	386	0.8	0.0184	2
MVMP 250x450/2	250	450	236	436	0.8	0.0207	2
MVMP 250x500/2	250	500	236	486	0.8	0.0230	2



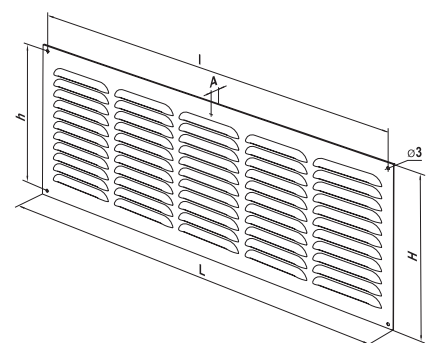
Model	Dimensions [mm]					Air pass, [m ²]	Number of rows
	L	H	l	h	A		
MVMP 300x100/3	300	100	286	86	0.8	0.0054	3
MVMP 300x210/3	300	210	286	196	0.8	0.0162	3
MVMP 300x250/3	300	250	286	236	0.8	0.0189	3
MVMP 300x290/3	300	290	286	276	0.8	0.0230	3
MVMP 300/3	300	300	286	286	0.8	0.0243	3
MVMP 305x150/3	305	150	291	136	0.8	0.0084	3
MVMP 305x200/3	305	200	291	186	0.8	0.0112	3
MVMP 305x250/3	305	250	291	236	0.8	0.0140	3
MVMP 305x300/3	305	300	291	286	0.8	0.0168	3
MVMP 305x350/3	305	350	291	336	0.8	0.0196	3
MVMP 305x400/3	305	400	291	386	0.8	0.0224	3
MVMP 305x450/3	305	450	291	436	0.8	0.0252	3
MVMP 305x500/3	305	500	291	486	0.8	0.0280	3
MVMP 350x150/3	350	150	336	136	0.8	0.0096	3
MVMP 350x200/3	350	200	336	186	0.8	0.0129	3
MVMP 350x250/3	350	250	336	236	0.8	0.0161	3
MVMP 350x300/3	350	300	336	286	0.8	0.0193	3
MVMP 350/3	350	350	336	336	0.8	0.0225	3
MVMP 350x400/3	350	400	336	386	0.8	0.0257	3
MVMP 350x450/3	350	450	336	436	0.8	0.0289	3
MVMP 350x500/3	350	500	336	486	0.8	0.0321	3
MVMP 360x140/3	360	140	346	126	0.8	0.0093	3
MVMP 360x180/3	360	180	346	166	0.8	0.0119	3



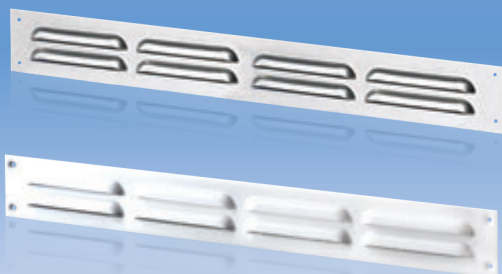
Model	Dimensions [mm]					Air pass, [m ²]	Number of rows
	L	H	l	h	A		
MVMP 400x200/4	400	200	386	186	0.8	0.0147	4
MVMP 400x250/4	400	250	436	236	0.8	0.0184	4
MVMP 400x300/4	400	300	386	286	0.8	0.0324	4
MVMP 400x350/4	400	350	386	336	0.8	0.0257	4
MVMP 400/4	400	400	386	386	0.8	0.0294	4
MVMP 400x450/4	400	450	386	436	0.8	0.0331	4
MVMP 400x500/4	400	500	386	486	0.8	0.0367	4
MVMP 450x250/4	450	250	436	236	0.8	0.0207	4
MVMP 450x300/4	450	300	436	286	0.8	0.0248	4
MVMP 450x350/4	450	350	436	336	0.8	0.0289	4
MVMP 450x400/4	450	400	436	386	0.8	0.0331	4
MVMP 450/4	450	450	436	436	0.8	0.0372	4
MVMP 450x500/4	450	500	436	486	0.8	0.0413	4



Model	Dimensions [mm]					Air pass, [m ²]	Number of rows
	L	H	l	h	A		
MVMP 500x250/5	500	250	486	236	0.8	0.0236	5
MVMP 500x300/5	500	300	486	286	0.8	0.0276	5
MVMP 500x350/5	500	350	486	336	0.8	0.0321	5
MVMP 500x400/5	500	400	486	386	0.8	0.0367	5
MVMP 500x450/5	500	450	486	436	0.8	0.0413	5
MVMP 500/5	500	500	486	486	0.8	0.0459	5



MVMP Series



Application

- Decoration of exhaust vents of public, residential and industrial ventilation systems.
- For ventilation, air conditioning and heating.
- Used for correct air flow distribution in premises.
- Internal or external wall and ceiling mounting.

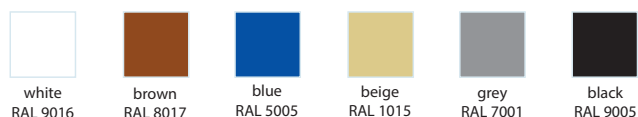
Design

- Made of steel, galvanized steel or aluminium and are suitable for colourful polymer painting.
- Screw fixing.
- Quality materials and zinc-phosphate treatment ensure coating integrity and provide reliable corrosion protection.
- Modifications with a protecting insect screen are available.

Modifications

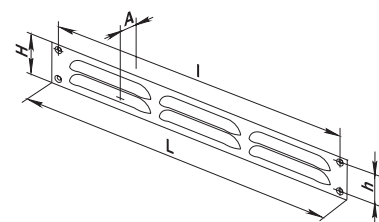
- **MVMP ...** – basic steel models with white polymer coating.
- **MVMP ... s** – steel models with white polymer coating and a protecting insect screen.
- **MVMP ... A** – aluminium grille models with white polymer coating.
- **MVMP ... s A** – aluminium models with white polymer coating and protecting insect screen.
- **MVMP ... A (no/p)** – aluminium grille models.
- **MVMP ... s A (no/p)** – aluminium models with a protecting insect screen.
- **MVMP ... Zn** – galvanized steel grille models.
- **MVMP ... s Zn** – galvanized steel models with a protecting insect screen.
- **MVMP ... «colour code»** – colourful polymer painted models.

Colour modifications



Overall dimensions

Model	Dimensions [mm]					Air pass, [m ²]	Number of sections
	L	H	l	h	A		
MVMP 305x40/3	305	40	291	26	0.8	0.0022	3
MVMP 305x90/3	305	90	291	76	0.8	0.0050	3
MVMP 305x100/3	305	100	291	86	0.8	0.0056	3
MVMP 370x40/3	370	40	356	26	0.8	0.0027	3
MVMP 400x40/4	400	40	386	26	0.8	0.0029	4
MVMP 475x85/4	475	85	461	71	0.8	0.0074	4
MVMP 495x63/4	495	63	481	49	0.8	0.0057	4
MVMP 500x40/5	500	40	486	26	0.8	0.0037	5
MVMP 500x60/5	500	60	486	46	0.8	0.0055	5
MVMP 500x90/5	500	90	486	76	0.8	0.0083	5
MVMP 650x70/7	650	70	636	56	0.8	0.0084	7
MVMP 650x100/7	650	100	636	86	0.8	0.0119	7



MVMPO Series



Application

- Decoration of exhaust vents of public, residential and industrial ventilation systems.
- For ventilation, air conditioning and heating.
- Used for correct air flow distribution in premises.
- Internal or external wall and ceiling mounting.

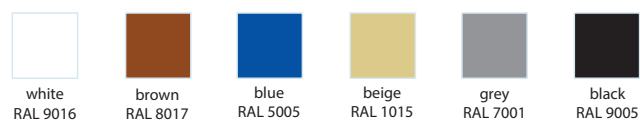
Design

- Made of steel, galvanized steel or aluminium and are suitable for colourful polymer painting.
- Edge-raised grille design.
- Screw fixing.
- Quality materials and zinc-phosphate treatment ensure coating integrity and provide reliable corrosion protection.
- Modifications with a protecting insect screen are available.

Modifications

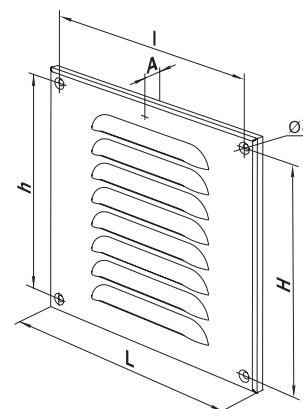
- **MVMPO ...** – basic steel models with white polymer coating.
- **MVMPO ... s** – steel models with white polymer coating and a protecting insect screen.
- **MVMPO ... A** – aluminium grille models with white polymer coating.
- **MVMPO ... s A** – aluminium models with white polymer coating and protecting insect screen.
- **MVMPO ... A (no/p)** – aluminium grille models.
- **MVMPO ... s A (no/p)** – aluminium models with a protecting insect screen.
- **MVMPO ... Zn** – galvanized steel grille models.
- **MVMPO ... s Zn** – galvanized steel models with a protecting insect screen.
- **MVMPO ... «colour code»** – colourful polymer painted models.

Colour modifications



Overall dimensions

Model	Dimensions [mm]					Air pass, [m ²]
	L	H	l	h	A	
MVMPO 70x140	70	140	56	126	5.5	0.0018
MVMPO 100	100	100	86	86	5.5	0.0018
MVMPO 100x200	100	200	86	186	5.5	0.0050
MVMPO 100x300	100	302	86	288	5.5	0.0086
MVMPO 125	125	125	111	111	5.5	0.0033
MVMPO 130x170	130	170	116	156	5.5	0.0045
MVMPO 130x90	130	90	116	76	5.5	0.0018
MVMPO 140	140	140	126	126	5.5	0.0036
MVMPO 140x180	140	180	126	166	5.5	0.0045
MVMPO 140x240	140	240	126	226	5.5	0.0063
MVMPO 150	150	150	136	136	5.5	0.0036
MVMPO 150x210	150	210	136	196	5.5	0.0054
MVMPO 150x215	150	215	136	201	5.5	0.0059
MVMPO 155	155	155	141	141	5.5	0.0041



SUPPLY AND EXHAUST MULTIPLE-ROW EDGE-RAISED METAL GRILLES

MVMPO Series



Colour modifications



Overall dimensions

Model	Dimensions [mm]					Air pass, [m ²]	Number of rows
	L	H	l	h	A		
MVMPO 150x250/2	150	250	136	236	5.5	0.0068	2
MVMPO 150x350/2	150	350	136	336	5.5	0.0104	2
MVMPO 180x250/2	180	250	166	236	5.5	0.0068	2
MVMPO 195x245/2	195	245	181	231	5.5	0.0135	2
MVMPO 200/2	200	200	186	186	5.5	0.0099	2
MVMPO 200x100/2	200	100	186	86	5.5	0.0036	2
MVMPO 200x250/2	200	252	186	238	5.5	0.0135	2
MVMPO 200x300/2	200	300	186	286	5.5	0.0162	2
MVMPO 200x350/2	200	350	186	336	5.5	0.0199	2
MVMPO 200x405/2	200	405	186	391	5.5	0.0235	2
MVMPO 215x150/2	215	150	201	136	5.5	0.0072	2
MVMPO 225x150/2	225	150	211	136	5.5	0.0072	2
MVMPO 225/2	225	225	211	211	5.5	0.0117	2
MVMPO 240/2	240	240	226	226	5.5	0.0126	2
MVMPO 240x165/2	240	165	226	151	5.5	0.0081	2
MVMPO 240x195/2	240	195	231	181	5.5	0.0099	2
MVMPO 250/2	250	250	236	236	5.5	0.0135	2
MVMPO 250x110/2	250	110	236	96	5.5	0.0045	2
MVMPO 250x140/2	250	140	236	126	5.5	0.0072	2
MVMPO 250x150/2	250	150	236	136	5.5	0.0072	2
MVMPO 250x170/2	250	170	236	156	5.5	0.0090	2
MVMPO 250x200/2	250	200	236	186	5.5	0.0108	2
MVMPO 250x300/2	250	300	236	286	5.5	0.0162	2
MVMPO 250x350/2	250	350	236	336	5.5	0.0208	2
MVMPO 250x400/2	250	400	236	386	5.5	0.0235	2
MVMPO 250x450/2	250	450	236	436	5.5	0.0271	2
MVMPO 250x500/2	250	500	236	486	5.5	0.0298	2

Application

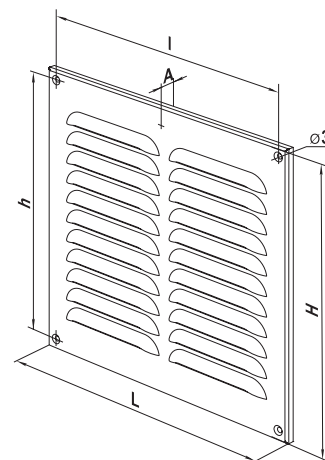
- Decoration of exhaust vents of public, residential and industrial ventilation systems.
- For ventilation, air conditioning and heating.
- Used for correct air flow distribution in premises.
- Internal or external wall and ceiling mounting.

Design

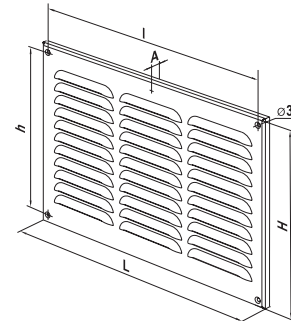
- Made of steel, galvanized steel or aluminium and are suitable for colourful polymer painting.
- Edge-raised grille design.
- Screw fixing.
- Quality materials and zinc-phosphate treatment ensure coating integrity and provide reliable corrosion protection.
- Modifications with a protecting insect screen are available.

Modifications

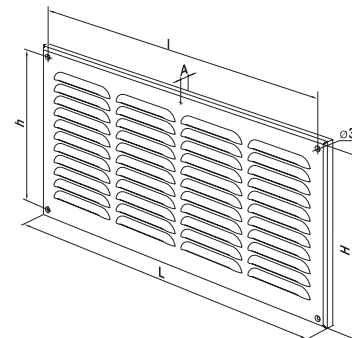
- **MVMPO ...** – basic steel models with white polymer coating.
- **MVMPO ... A** – aluminium grille models with white polymer coating.
- **MVMPO ... s A** – aluminium models with white polymer coating and protecting insect screen.
- **MVMPO ... A (no/p)** – aluminium grille models.
- **MVMPO ... s A (no/p)** – aluminium models with a protecting insect screen.
- **MVMPO ... Zn** – galvanized steel grille models.
- **MVMPO ... s** – steel models with white polymer coating and a protecting insect screen.
- **MVMPO ... s Zn** – galvanized steel models with a protecting insect screen.
- **MVMPO «colour code»** – colourful polymer painted models.



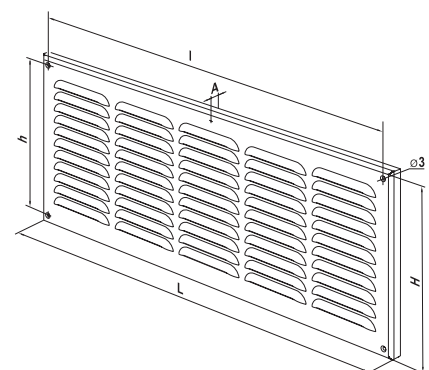
Model	Dimensions [mm]					Air pass, [m ²]	Number of rows
	L	H	l	h	A		
MVMPO 300/3	300	300	286	286	5.5	0.0243	3
MVMPO 305x100/3	305	100	291	86	5.5	0.0068	3
MVMPO 305x150/3	305	150	291	136	5.5	0.0108	3
MVMPO 305x350/3	305	350	291	336	5.5	0.0311	3
MVMPO 305x400/3	305	400	291	386	5.5	0.0352	3
MVMPO 305x450/3	305	450	291	436	5.5	0.0406	3
MVMPO 305x500/3	305	500	291	486	5.5	0.0447	3
MVMPO 350x200/3	350	200	336	186	5.5	0.0162	3
MVMPO 350x250/3	350	250	336	236	5.5	0.0203	3
MVMPO 350x300/3	350	300	336	286	5.5	0.0257	3
MVMPO 350/3	350	350	336	336	5.5	0.0311	3
MVMPO 350x400/3	350	400	336	386	5.5	0.0352	3
MVMPO 350x450/3	350	450	336	436	5.5	0.0406	3
MVMPO 350x500/3	350	500	336	486	5.5	0.0447	3
MVMPO 360x140/3	360	140	346	126	5.5	0.0108	3
MVMPO 360x180/3	360	180	346	166	5.5	0.0135	3



Model	Dimensions [mm]					Air pass, [m ²]	Number of rows
	L	H	l	h	A		
MVMPO 400/4	400	400	386	386	5.5	0.0270	4
MVMPO 400x200/4	400	200	386	186	5.5	0.0217	4
MVMPO 400x250/4	400	250	386	236	5.5	0.0468	4
MVMPO 400x300/4	400	300	386	286	5.5	0.0325	4
MVMPO 400x350/4	400	350	386	336	5.5	0.0415	4
MVMPO 400x450/4	400	450	386	436	5.5	0.0541	4
MVMPO 400x500/4	400	500	386	486	5.5	0.0596	4
MVMPO 450x250/4	450	250	436	236	5.5	0.0271	4
MVMPO 450x300/4	450	300	436	286	5.5	0.0343	4
MVMPO 450x350/4	450	350	436	336	5.5	0.0415	4
MVMPO 450x400/4	450	400	436	386	5.5	0.0469	4
MVMPO 450/4	450	450	436	436	5.5	0.0541	4
MVMPO 450x500/4	450	500	436	486	5.5	0.0596	4

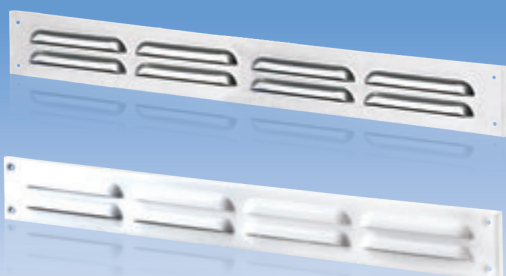


Model	Dimensions [mm]					Air pass, [m ²]	Number of rows
	L	H	l	h	A		
MVMPO 500x250/5	500	250	486	236	5.5	0.0338	5
MVMPO 500x300/5	500	300	486	286	5.5	0.0429	5
MVMPO 500x350/5	500	350	486	336	5.5	0.0519	5
MVMPO 500x400/5	500	400	486	386	5.5	0.0587	5
MVMPO 500x450/5	500	450	486	436	5.5	0.0677	5



SUPPLY AND EXHAUST EDGE-RAISED SLOT METAL GRILLES

MVMPO Series



Colour modifications



Overall dimensions

Model	Dimensions [mm]					Air pass, [m ²]	Number of sections
	L	H	l	h	A		
MVMPO 225x75/2	225	75	211	61	5.5	0.0027	2
MVMPO 250x80/2	250	80	236	66	5.5	0.0027	2
MVMPO 300x75/3	300	75	286	61	5.5	0.0041	3
MVMPO 305x40/3	305	40	291	26	5.5	0.0014	3
MVMPO 305x90/3	305	90	291	76	5.5	0.0054	3
MVMPO 370x40/3	370	43	352	22	5.5	0.0027	3
MVMPO 380x40/4	380	43	366	29	5.5	0.0054	4
MVMPO 400x40/4	400	40	386	26	5.5	0.0018	4
MVMPO 400x80/4	400	80	386	66	5.5	0.0072	4
MVMPO 475x85/5	475	85	461	71	5.5	0.0068	5
MVMPO 500x40/5	500	40	488	22	5.5	0.0045	5
MVMPO 500x60/5	500	60	486	46	5.5	0.0045	5
MVMPO 500x90/5	500	90	486	76	5.5	0.0090	5
MVMPO 650x60/6	650	60	636	46	5.5	0.0063	6
MVMPO 650x65/6	650	65	632	47	5.5	0.0081	6
MVMPO 650x70/6	650	70	636	56	5.5	0.0081	6
MVMPO 650x100/6	650	100	636	86	5.5	0.0108	6

Application

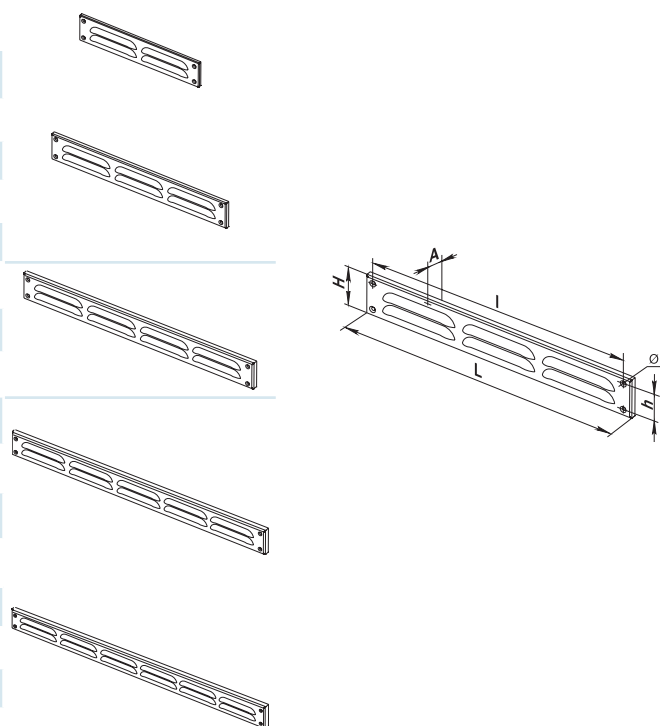
- Decoration of exhaust vents of public, residential and industrial ventilation systems.
- For ventilation, air conditioning and heating.
- Used for correct air flow distribution in premises.
- Internal or external wall and ceiling mounting.

Design

- Made of steel, galvanized steel or aluminium and are suitable for colourful polymer painting.
- Edge-raised grille design.
- Screw fixing.
- Quality materials and zinc-phosphate treatment ensure coating integrity and provide reliable corrosion protection.
- Models with insect screen are available.

Modifications

- **MVMPO ...** – basic steel models with white polymer coating.
- **MVMPO ... s** – steel models with white polymer coating and a protecting insect screen.
- **MVMPO ... A** – aluminium grille models with white polymer coating.
- **MVMPO ... s A** – aluminium models with white polymer coating and protecting insect screen.
- **MVMPO ... A (no/p)** – aluminium grille models.
- **MVMPO ... s A (no/p)** – aluminium models with a protecting insect screen.
- **MVMPO ... Zn** – galvanized steel grille models.
- **MVMPO ... s Zn** – galvanized steel models with a protecting insect screen.
- **MVMPO ... «colour code»** – colourful polymer painted models.



MVMPO...R Series



Application

- Decoration of exhaust vents of public, residential and industrial ventilation systems.
- For ventilation, air conditioning and heating.
- Used for correct air flow distribution in premises.
- Internal or external wall and ceiling mounting.

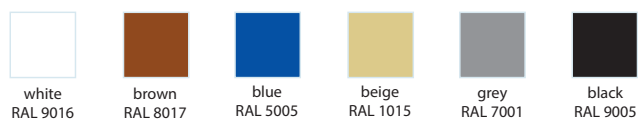
Design

- Made of steel or aluminium and are suitable for colourful polymer painting.
- Quality materials and zinc-phosphate treatment ensure coating integrity and provide reliable corrosion protection.
- Edge-raised grille design.
- Equipped with a movable flap for air flow regulation.
- Screw fixing.

Modifications

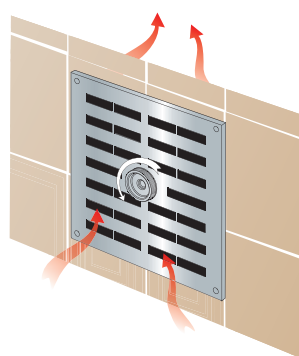
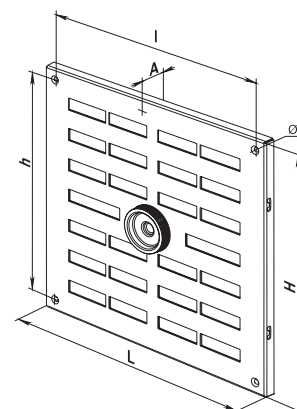
- **MVMPO ... R** – basic steel models with white polymer coating.
- **MVMPO...R A** – aluminium grille models with white polymer coating.
- **MVMPO...R A (no/p)** – aluminium grille models.
- **MVMPO ...R «colour code»** – colourful polymer painted models.

Colour modifications

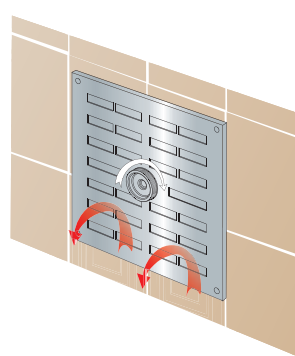


Overall dimensions

Model	Dimensions [mm]					Air pass, [m ²]
	L	H	l	h	A	
MVMPO 155 R	155	155	132	132	9	0.0047
MVMPO 150x200 R	150	200	132	182	9	0.0067
MVMPO 160 R	160	160	137	137	9	0.0051
MVMPO 200x150 R	200	150	182	132	9	0.0061
MVMPO 200 R	200	200	182	182	9	0.0099
MVMPO 200x250 R	200	250	182	232	9	0.0135
MVMPO 200x300 R	200	300	182	282	9	0.0162
MVMPO 250x200 R	250	200	232	182	9	0.0108
MVMPO 250x300 R	250	300	232	282	9	0.0171
MVMPO 300x200 R	300	200	282	182	9	0.0172
MVMPO 300x250 R	300	250	282	232	9	0.0204



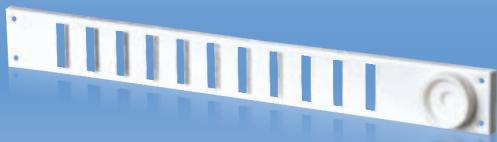
open



closed

SUPPLY AND EXHAUST REGULATED SLOT METAL GRILLES

MVMPO...Rr Series



MVMPO...R Series



Application

- Decoration of exhaust vents of public, residential and industrial ventilation systems.
- For ventilation, air conditioning and heating.
- Used for correct air flow distribution in premises.
- Internal or external wall and ceiling mounting.

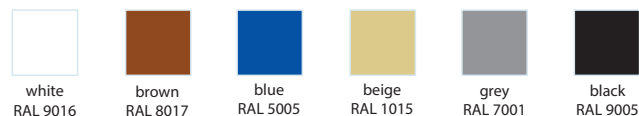
Design

- Made of steel or aluminium and are suitable for colourful polymer painting.
- Quality materials and zinc-phosphate treatment ensure coating integrity and provide reliable corrosion protection.
- Edge-raised grille design.
- Equipped with a movable flap for air flow regulation.
- Regulation with a wheel (MVMPO...Rr) or a tilt wand (MVMPO...R).
- Screw fixing.

Modifications

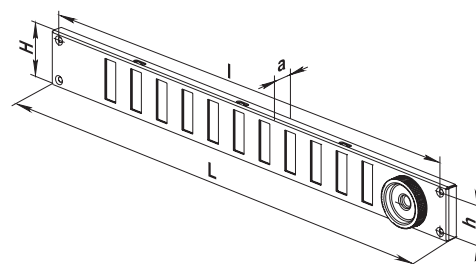
- **MVMPO...R / MVMPO...Rr** – basic steel models with white polymer coating.
- **MVMPO...R A / MVMPO...Rr A** – aluminium grilles with white polymer coating.
- **MVMPO...R A (no/p) / MVMPO...Rr A (no/p)** is made of Aluminium.
- **MVMPO...R «colour code» / MVMPO...Rr «colour code»** – colourful grilles with polymer coating.

Colour modifications



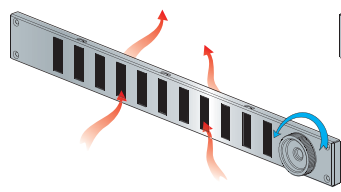
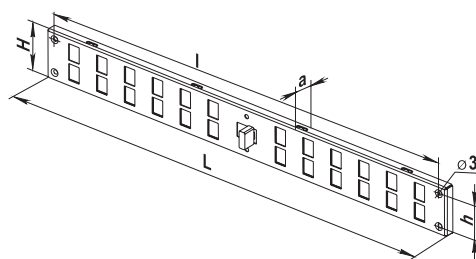
Overall dimensions

Model	Dimensions [mm]					Air pass, [m ²]
	L	H	l	h	A	
MVMPO 370x40 Rr	370	40	356	29	9	0.0033
MVMPO 380x40 Rr	380	43	366	29	9	0.0035
MVMPO 495x65 Rr	495	65	477	47	9	0.0072
MVMPO 500x40 Rr	500	40	482	29	9	0.0054
MVMPO 500x90 Rr	500	90	482	72	9	0.0090
MVMPO 650x60 Rr	650	60	632	42	9	0.0063
MVMPO 650x65 Rr	650	65	632	44	9	0.0110

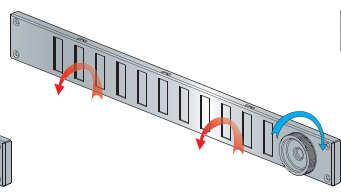


Overall dimensions

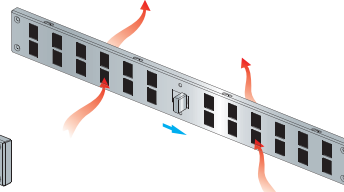
Model	Dimensions [mm]					Air pass, [m ²]
	L	H	l	h	A	
MVMPO 380x40 R	380	43	366	29	9	0.0035



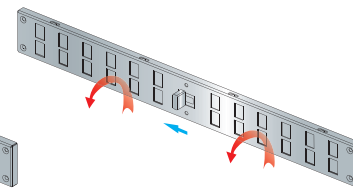
open



closed



open



closed

MVM Series



Application

- Mounting in door leaves of bathrooms, kitchens, etc.
- Suitable for installation into window sills for correct warm air distribution from radiators.
- Used to arrange correct air circulation in premises.

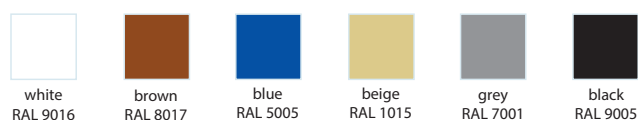
Design

- Made of polymer-coated or galvanized steel and are suitable for painting in various colours.
- Quality materials and zinc-phosphate treatment ensure coating integrity and provide reliable corrosion protection.
- Screw or lug fixing.
- Modifications with a protecting insect screen are available.
- Various decorative ornaments.
- Minimum door leaf thickness for grilles with fixing lugs is 30 mm.

Modifications

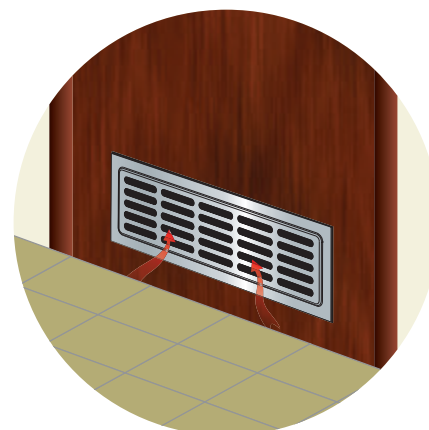
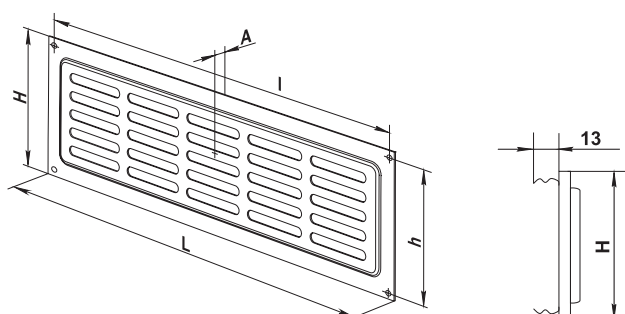
- **MVM...** – basic steel models with white polymer coating and screw fixing.
- **MVM...s** – steel grilles with white polymer coating and a protecting insect screen.
- **MVM...K** – steel grilles with white polymer coating and fixing lugs.
- **MVM...s K** – steel models with white polymer coating, fixing lugs and a protecting insect screen.
- **MVM...Zn** – galvanized steel models with screw fixing.
- **MVM...s Zn** – galvanized steel models with screw fixing and a protecting insect screen.
- **MVM...K Zn** – galvanized steel models with fixing lugs.
- **MVM...s K Zn** – galvanized steel models with fixing lugs and a protecting insect screen.
- **MVM... «colour code»** – colourful polymer painted models.

Colour modifications



Overall dimensions

Model	Dimensions [mm]					Number of sections	Air pass, [m ²]
	L	H	l	h	A		
MVM 250x80/5-3	250	80	236	66	11.5	5	0.0055
MVM 475x80/10-3	475	80	461	71	11.5	10	0.0103



MVMP Series



Application

- Mounting in door leaves of bathrooms, kitchens, etc.
- Suitable for installation into window sills for correct warm air distribution from radiators.
- Used to arrange correct air circulation in premises.

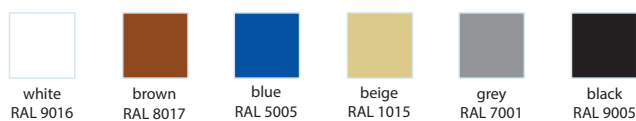
Design

- Made of polymer-coated or galvanized steel and are suitable for painting in various colours.
- Quality materials and zinc-phosphate treatment ensure coating integrity and provide reliable corrosion protection.
- Screw fixing.
- Modifications with an insect screen are available.
- Various decorative ornaments.
- Minimum door leaf thickness for grilles with fixing lugs is 30 mm.

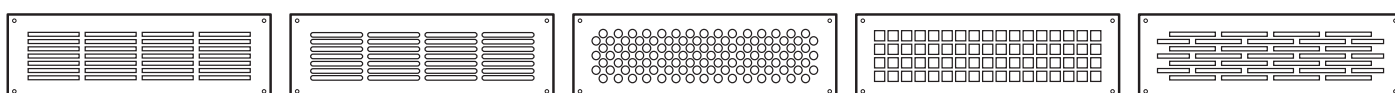
Grille modifications

- **MVMP...** – basic steel models with white polymer coating and screw fixing.
- **MVMP...s** – steel grilles with white polymer coating equipped with a protecting insect screen.
- **MVMP...Zn** – galvanized steel grilles with screw fixing.
- **MVMP...s Zn** – galvanized steel grilles with screw fixing and a protecting insect screen.
- **MVMP...«colour code»** – colourful polymer painted models.

Colour modifications



Decorative ornament types



MVMP...-2

MVMP...-3

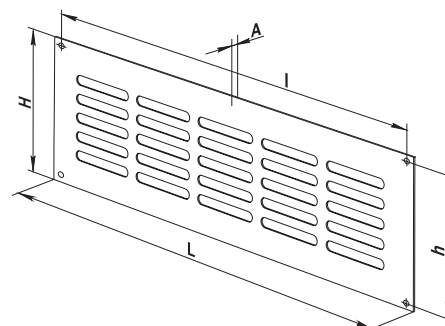
MVMP...-4

MVMP...-5

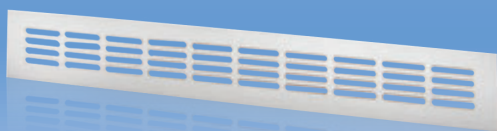
MVMP...-6

Overall dimensions

Model	Dimensions [mm]					Number of sections	Air pass, [m ²]
	L	H	l	h	A		
MVMP 250x80	250	80	236	66	0.8	5	0.0055
MVMP 350x80	350	80	338	68	0.8	6	0.0067
MVMP 430x80	430	80	418	68	0.8	7	0.0083
MVMP 450x80	450	80	438	68	0.8	8	0.0094
MVMP 475*80	475	80	461	71	0.8	10	0.0110



MVMA
Series



Application

- Mounting in door leaves of bathrooms, kitchens, etc.
- Suitable for installation into window sills for correct warm air distribution from radiators.
- Used to arrange correct air circulation in premises.

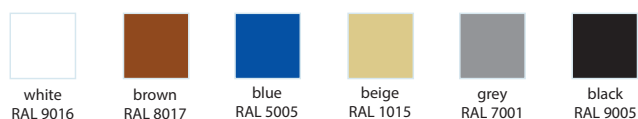
Design

- Made of polymer-coated or galvanized steel and are suitable for painting in various colours.
- Fixing with lugs.
- Modifications with a protecting insect screen are available.
- Minimum door leaf thickness is 32 mm.

Grille modifications

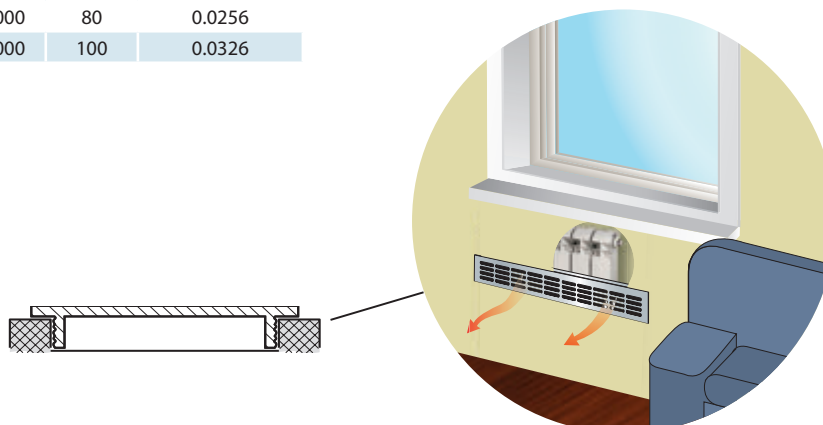
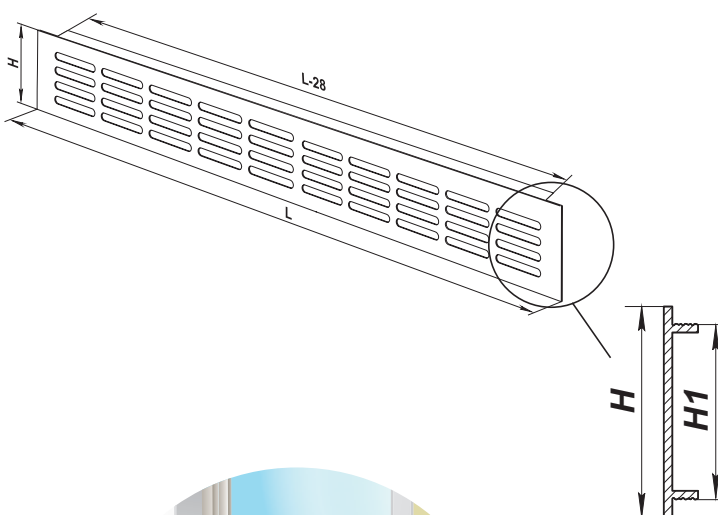
- **MVMA...An** – grilles from anodized aluminium
- **MVMA...«colour code»** – colourful polymer painted models.
- **MVMA...s** – models from aluminium with a protecting insect screen.
- **MVMA...s An** – models from anodized aluminium and a protecting insect screen.

Colour modifications



Overall dimensions

Model	Dimensions [mm]		Air pass, [m ²]
	L	H	
MVMA 400x60	400	60	0.0062
MVMA 400x80	475	80	0.0093
MVMA 400x100	400	100	0.0120
MVMA 480x80	480	80	0.0120
MVMA 500x60	500	60	0.0078
MVMA 500x80	500	80	0.0120
MVMA 500x100	500	100	0.0156
MVMA 600x60	600	60	0.0093
MVMA 600x80	600	80	0.0140
MVMA 600x100	600	100	0.0186
MVMA 800x60	800	60	0.0120
MVMA 800x80	800	80	0.0186
MVMA 800x100	800	100	0.0248
MVMA 1000x60	1000	60	0.0160
MVMA 1000x80	1000	80	0.0256
MVMA 1000x100	1000	100	0.0326



**MVM-50 S A
Series**



Application

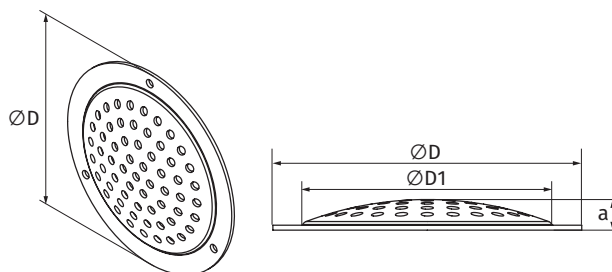
- For installation in doors of bathrooms, toilets, kitchens, etc.
- It can also be installed in various pieces of furniture to ventilate them.

Design

- Made of polymer coated extruded aluminum.
- White RAL 9016.
- Fastening to surfaces using screws (not included in the delivery set).

Overall dimensions

Model	Dimensions [mm]		
	D	D1	a
MVM-50 S A	50	41	5



**MVM...bV A
Series**



Application

- Decoration of supply and exhaust vents of public, residential and industrial ventilation systems.
- Applicable for HVAC systems.
- Used for correct air flow distribution in premises.

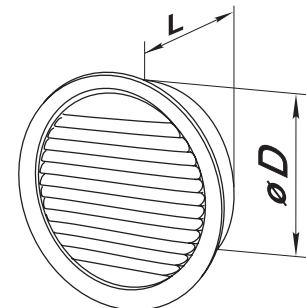
Design

- Made of aluminium.
- Mounting with fixing lugs.
- Equipped with a round \varnothing 100 mm spigot for connection to air ducts.



Overall dimensions

Model	Dimensions [mm]		Air pass, [m ²]
	D	L	
MVM 101 bV A	101	24	0.0024



MVM...bV N Series



■ Application

- Decoration of supply and exhaust vents of public, residential and industrial ventilation systems.
- Applicable for HVAC systems.
- Used for correct air flow distribution in premises.

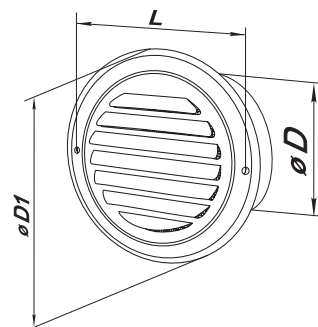
■ Design

- Made of stainless steel.
- Insect screen included.
- Mounting with fixing lugs.
- Equipped with a round \varnothing 100, 125, 150, 200 mm spigot for connection to air ducts.



■ Overall dimensions

Model	Dimensions [mm]			Air pass, [m ²]
	D	D1	L	
MVM 100 bV N	96	150	134	0.0048
MVM 125 bV N	119	184	165	0.0082
MVM 150 bV N	143	205	190	0.0126



**MVM...b N
Series**



Application

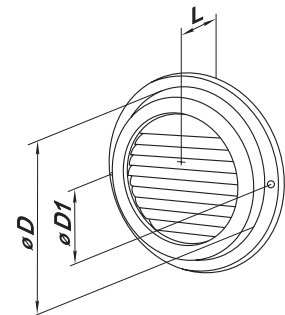
- Decoration of supply and exhaust vents of public, residential and industrial ventilation systems.
- Applicable for HVAC systems.
- Used for correct air flow distribution in premises.

Design

- Made of stamped stainless steel.
- Rubber seals for tight contact to the wall.
- Fixing with screws.

Overall dimensions

Model	Dimensions [mm]			Air pass, [m ²]
	D	D1	L	
MVM 100 b N	95	133	22	0.0057
MVM 125 b N	122	165	24	0.0093
MVM 150 b N	144	190	26	0.0138



MVM...bVs N Series



Application

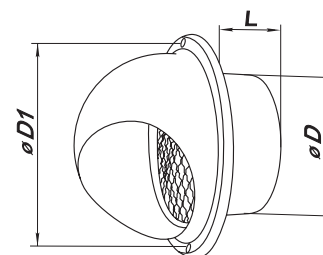
- Decoration of supply and exhaust vents of public, residential and industrial ventilation systems.

Design

- Made of stainless steel.
- Insect screen included.
- Rubber seals for tight contact to the wall.
- Fitted with a round \varnothing 100, 125, 150, 160 or 200 mm spigot for connection to the air ducts.
- Fixation to the wall with screws.

Overall dimensions

Model	Dimensions [mm]			Air pass, [m ²]
	D	D1	L	
MVM 102 bVs N	97	133	52	0.0048
MVM 122 bVs N	120	165	52	0.0082
MVM 152 bVs N	145	192	62	0.0126
MVM 162 bVs N	155	192	62	0.0135
MVM 202 bVs N	195	253	73	0.0178



**MVM...bV N
Series**

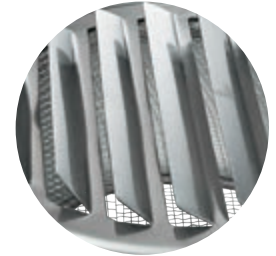


Application

- Decoration of supply and exhaust vents of public, residential and industrial ventilation systems.
- Applicable for HVAC systems.

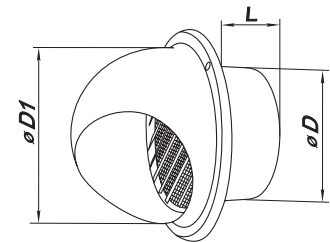
Design

- Made of stainless steel.
- Directing vanes and an insect screen included.
- Rubber seals for tight contact to the wall.
- Equipped with a round \varnothing 100, 125 or 150 mm spigot for connection to air ducts.
- Fixing with screws.



Overall dimensions

Model	Dimensions [mm]			Air pass, [m ²]
	D	D1	L	
MVM 102 bV N	97	133	52	0.0048
MVM 122 bV N	120	165	52	0.0082
MVM 152 bV N	145	192	62	0.0126
MVM 202 bV N	195	253	62	0.0178



EXHAUST GRAVITY METAL GRILLE

MVM...VJ N Series



■ Application

- Decoration of exhaust vents of public, residential and industrial ventilation systems.
- Applicable for exhaust HVAC systems.

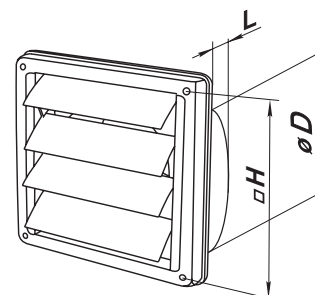
■ Design

- Made of stainless steel.
- Fixing with screws.
- Rubber seals for tight contact to the wall.

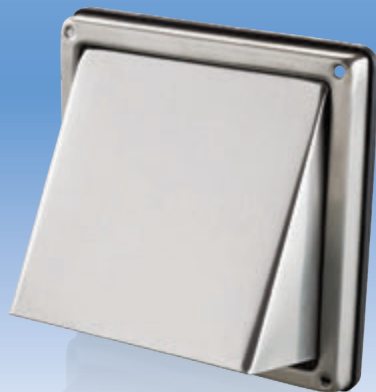


■ Overall dimensions

Model	Dimensions [mm]			Air pass, [m ²]
	D	□H	L	
MVM 100 VJ N	97	137 x 137	52	0.0070
MVM 125 VJ N	120	167 x 167	52	0.0112
MVM 150 VJ N	145	167 x 167	62	0.0164



MVM...V N Series



Application

- Decoration of exhaust vents of public, residential and industrial ventilation systems.

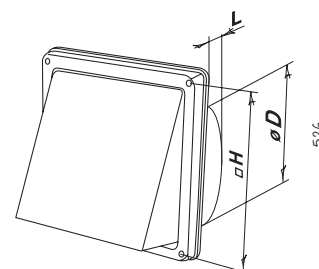
Design

- Made of stainless steel.
- Back valve included.
- Rubber seals for tight contact to the wall.
- Equipped with a round \varnothing 100, 125 or 150 mm spigot for connection to air ducts.
- Fixing with screws.



Overall dimensions

Model	Dimensions [mm]			Air pass, [m ²]
	D	□H	L	
MVM 102 V N	97	137 x 137	52	0.0071
MVM 122 V N	120	167 x 167	52	0.0113
MVM 152 V N	145	167 x 167	62	0.0165



MVM...bVL A Series



Application

- Decoration of supply and exhaust vents of public, residential and industrial ventilation systems.
- Applicable for HVAC systems.
- Used for correct air flow distribution in premises.

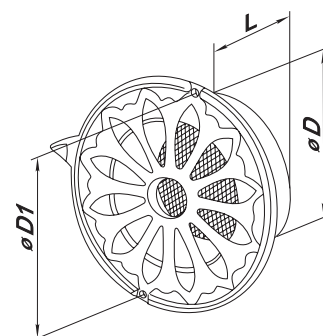
Design

- Made of cast aluminium.
- Equipped with a round \varnothing 100, 125 or 150 mm spigot for connection to air ducts.
- Insect screen included.
- Rubber seals for tight contact to the wall.
- Fixing with screws.



Overall dimensions

Model	Dimensions [mm]			Air pass, [m ²]
	D	D1	L	
MVM 100 bVL A	97	140	52	0.0045
MVM 125 bVL A	120	178	52	0.0067
MVM 150 bVL A	145	178	62	0.0115



**MVM...VR N
Series**



Application

- Decoration of supply and exhaust vents of public, residential and industrial ventilation systems.
- Applicable for HVAC systems.
- Used for correct air flow distribution in premises.

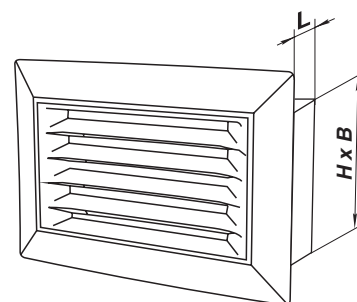
Design

- Made of stainless steel.
- Mounting to rectangular 55x110 and 60x204 mm air ducts with fixing lugs.



Overall dimensions

Model	Dimensions [mm]		Air pass, [m ²]
	H x B	L	
MVM 110*54 VR N	110x54	25	0.0028
MVM 205*61 VR N	205x61	30	0.0042



MVMP...R N Series



Application

- Decoration of supply and exhaust vents of public, residential and industrial ventilation systems.
- Applicable for HVAC systems.
- Used for correct air flow distribution in premises.

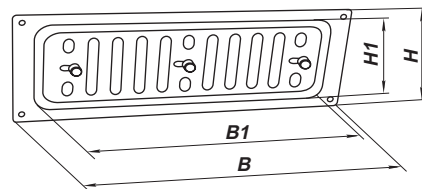
Design

- Made of stainless steel.
- Movable flap for air flow control.
- Fixing with screws.



Overall dimensions

Model	Dimensions [mm]				Air pass, [m ²]
	B1	H1	B	H	
MVMP 260*90 R N	225	75	260	90	0.0036
MVMP 260*165 R N	225	150	260	165	0.0085
MVMP 260*240 R N	225	225	260	240	0.0127



**MVMP...R A
Series**



Application

- Decoration of supply and exhaust vents of public, residential and industrial ventilation systems.
- Applicable for HVAC systems.
- Used for correct air flow distribution in premises.

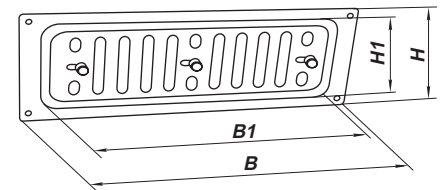
Design

- Made of aluminium.
- Movable flap for air flow control.
- Fixing with screws.



Overall dimensions

Model	Dimensions [mm]				Air pass, [m ²]
	B1	H1	B	H	
MVMP 260*90 R A	225	75	260	90	0.0036
MVMP 260*165 R A	225	150	260	165	0.0085
MVMP 260*240 R A	225	225	260	240	0.0127



MVMO1...b Series



Application

- Decoration of exhaust vents of public, residential and industrial ventilation systems.
- For ventilation, air conditioning and heating.
- Used for correct air flow distribution in premises.
- Internal or external wall and ceiling mounting.

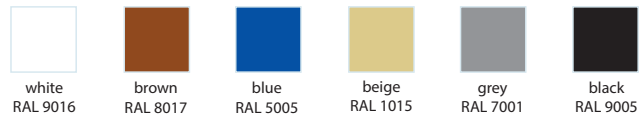
Design

- Made of steel, galvanized steel, stainless steel or aluminium and are suitable for colourful polymer painting.
- Screw fixing.
- Quality materials and zinc-phosphate treatment ensure coating integrity and provide reliable corrosion protection.
- Equipped with a protecting insect screen.

Modifications

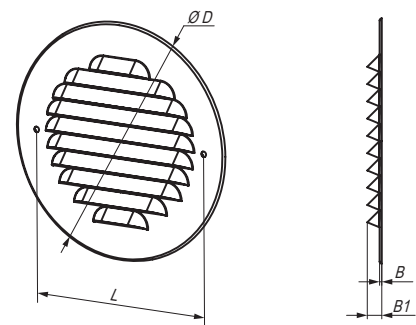
- **MVMO1...bs** – basic white polymer coated grilles.
- **MVMO1...bs A** – aluminium white polymer coated grilles with a protecting insect screen.
- **MVMO1...bs An** – grilles made of anodized brushed aluminium with a protecting insect screen.
- **MVMO1...bs Ap** – grilles made of polished aluminium with a protecting insect screen.
- **MVMO1...bs N** – grilles made of stainless steel with a protecting insect screen.
- **MVMO1...bs Zn** – grilles made of galvanized steel with a protecting insect screen.
- **MVMO1...bs "colour code"** – colourful polymer painted models.

Colour modifications



Overall dimensions

Model	Dimensions [mm]				Air pass [m ²]
	D	B	B1	L	
MVMO1 100 bs	142	1.3	8.4	114	0.0051



MVMO1...bs / MVMO1...bs A



MVMO1...bs Zn



MVMO1...bs An



MVMO1...bs Ap / MVMO1...bs N

**MVMO...bV
Series**



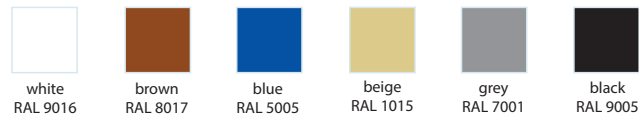
Application

- Decoration of exhaust vents of public, residential and industrial ventilation systems.
- For ventilation, air conditioning and heating.
- Used for correct air flow distribution in premises.
- Internal or external wall and ceiling mounting.

Design

- Made of steel, galvanized steel, stainless steel or aluminium and are suitable for colourful polymer painting.
- Edge-raised grille design.
- Quality materials and zinc-phosphate treatment ensure coating integrity and provide reliable corrosion protection.
- Modifications with a protecting insect screen.

Colour modifications



Modifications

Round grille with a flange (bV): MVMO...bV



- Equipped with a flange for connection to round air ducts.
- **MVMO...bV** – steel grilles with white polymer coating.
- **MVMO...bV A** – aluminium grilles with white polymer coating.
- **MVMO...bVs An** – grilles made of anodized brushed aluminium with a protecting insect screen.
- **MVMO...bVs Ap** – grilles made of polished aluminium with a protecting insect screen.
- **MVMO...bVs N** – grilles made of stainless steel with a protecting insect screen.
- **MVMO...bVs Zn** – grilles made of galvanized steel with a protecting insect screen.
- **MVMO ... bV "colour code"** – colourful polymer painted models.



Round grille with a flange and a lip seal (bV1): MVMO...bV1



- Equipped with a flange for connection to round air ducts.
- **MVMO...bV1** – steel grilles with white polymer coating.
- **MVMO...bV1 A** – grilles made of white polymer coated aluminium.
- **MVMO...bV1s An** – grilles made of anodized brushed aluminium with a protecting insect screen.
- **MVMO...bV1s Ap** – grilles made of polished aluminium with a protecting insect screen.
- **MVMO...bV1s N** – grilles made of stainless steel with a protecting insect screen.
- **MVMO...bV1s Zn** – grilles made of galvanizes steel with a protecting insect screen.
- **MVMO...bV1 "colour code"** – colourful polymer painted models.



Round grille with a flange and springs (bV K): MVMO...bV K



- Equipped with a flange for connection to round air ducts.
- **MVMO...bV K** – steel white polymer coated grilles.
- **MVMO...bV K A** – aluminium white polymer coated grilles.
- **MVMO...bVs K An** – grilles made of anodized brushed aluminium with a protecting insect screen.
- **MVMO...bVs K Ap** – grilles made of polished aluminium with a protecting insect screen.
- **MVMO...bVs K N** – grilles made of stainless steel with a protecting insect screen.
- **MVMO...bVs K Zn** – grilles made of galvanized steel with a protecting insect screen.
- **MVMO...bV K "colour code"** – colourful polymer painted models.



Overall dimensions

Model	Dimensions [mm]			Air pass [m ²]	Fig. no.
	D	D1	L		
MVMO 100 bV					1, 2
MVMO 100 bV1	99	129	48	0.0051	1, 3
MVMO 100 bV K					1, 4
MVMO 125 bV					1, 2
MVMO 125 bV1	124	154.5	48	0.0083	1, 3
MVMO 125 bV K					1, 4
MVMO 150 bV					1, 2
MVMO 150 bV1	149	179.5	48	0.0118	1, 3
MVMO 150 bV K					1, 4
MVMO 160 bV					1, 2
MVMO 160 bV1	159	189.5	48	0.0138	1, 3
MVMO 160 bV K					1, 4
MVMO 200 bV					1, 2
MVMO 200 bV1	198	229	48	0.0214	1, 3
MVMO 200 bV K					1, 4

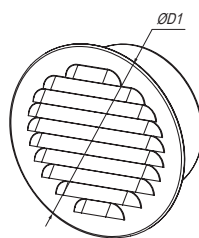


Fig. 1

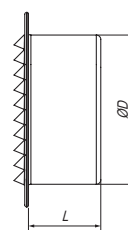


Fig. 2

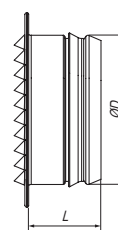


Fig. 3

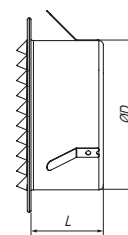


Fig. 4



Polymer coated steel /
polymer coated aluminium



Galvanized steel



Anodized brushed aluminium



Polished aluminium / stainless steel

**MVMO...bs K1
Series**



Application

- Decoration of exhaust vents of public, residential and industrial ventilation systems.
- For ventilation, air conditioning and heating.
- Used for correct air flow distribution in premises.
- Internal/external wall and ceiling mounting.

Design

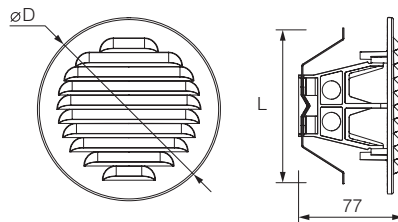
- Made of steel, galvanized steel, stainless steel or aluminium and are suitable for colourful polymer painting.
- Equipped with a spacer mechanism for mounting in a round ventilation hole without additional fastening elements.
- Quality materials and zinc-phosphate treatment ensure coating integrity and provide reliable corrosion protection.
- Modifications with a protecting insect screen.

Modifications

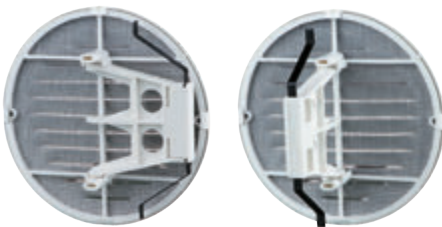
- Equipped with a plastic spreader gearing to mount in a round air vent.
- **MVMO...bs K1** – steel grilles with white polymer coating with a protecting insect screen and plastic spreader gearing.
- **MVMO...bs K1 A** – grilles made of white polymer coated aluminium.
- **MVMO...bs K1 An** – grilles made of anodized brushed aluminium with a protecting insect screen and plastic spreader gearing.
- **MVMO...bs K1 Ap** – grilles made of polished aluminium with a protecting insect screen and plastic spreader gearing.
- **MVMO...bs K1 Zn** – grilles made of galvanizes steel with a protecting insect screen and plastic spreader gearing.
- **MVMO...bs „colour code“** – colourful polymer painted models.

Overall dimensions

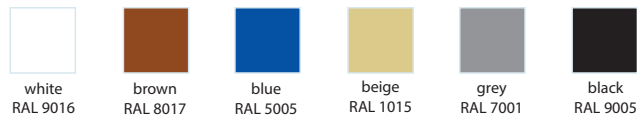
Model	Dimensions [mm]		Air pass [m ²]
	D	L	
100 MVMO bs K1	129	114	0.0051
125 MVMO bs K1	155	139	0.0083
150 MVMO bs K1	180	164	0.0118
160 MVMO bs K1	190	174	0.0133
200 MVMO bs K1	229	211	0.0206



Spacer mechanism for mounting



Colour modifications



Steel grilles with white polymer coating



Grilles made of white polymer coated aluminium



Grilles made of anodized brushed aluminium



Grilles made of polished aluminium



Grilles made of galvanizes steel