

Iso-VK

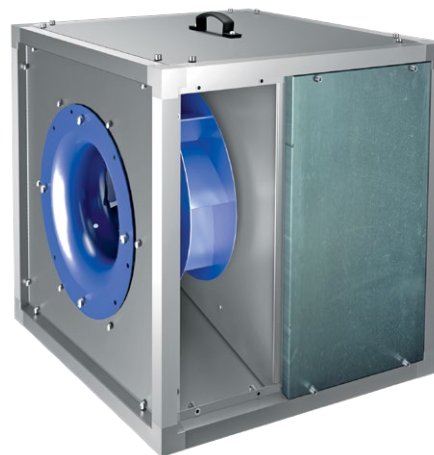
Sound-insulated inline centrifugal fans

Use

- Designed to extract contaminated hot air up to 120 °C, containing grease (when using grease filters), in high resistance conditions.
- Ideally function in various ventilation systems for restaurant or café kitchens, industrial bakeries, removal of gases generated during welding operations.
- Various application possibilities due to a special transformable casing design.
- Compatible with Ø 315 up to 800 mm round or 500x500 up to 1175x1175 mm rectangular air ducts.

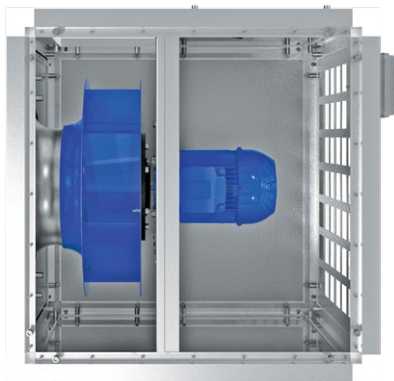


Air flow:
up to 25500 m³/h
7083 l/s



Design

- Casing made of aluminium frame and removable aluzinc thermal- and sound-insulated double-skinned sandwich panels.
- Casing internally filled with 20 mm non-flammable mineral wool.
- Position of the removable panels can be adjusted to inline air flow or 90° angle air flow.
- Due to corrosion-resistant casing and thermal insulation the fan is suitable for external mounting.
- Motor located outside the airflow and separated from the impeller by a metal panel.



Motor

- Highly reliable single-phase or three-phase motor with steel high-performance centrifugal impeller with backward curved blades.
- The motor is maintenance free.
- Motor insulation winding class – F.
- Degree of protection – IP55.

Speed control

- Step speed control with transformer speed controller is available for three-phase motors.

Mounting

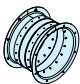
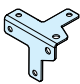
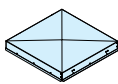
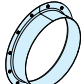


- The fan is mounted with rectangular or round air ducts.
- Connected to air ducts with flexible vibration-absorbing connectors or connecting reducers of respective diameters.
- Power is supplied to the fan through an external terminal box.
- The fans can be installed in any mounting position with respect to air flow direction in the system. While mounting provide enough servicing space.

KITCHEN FANS

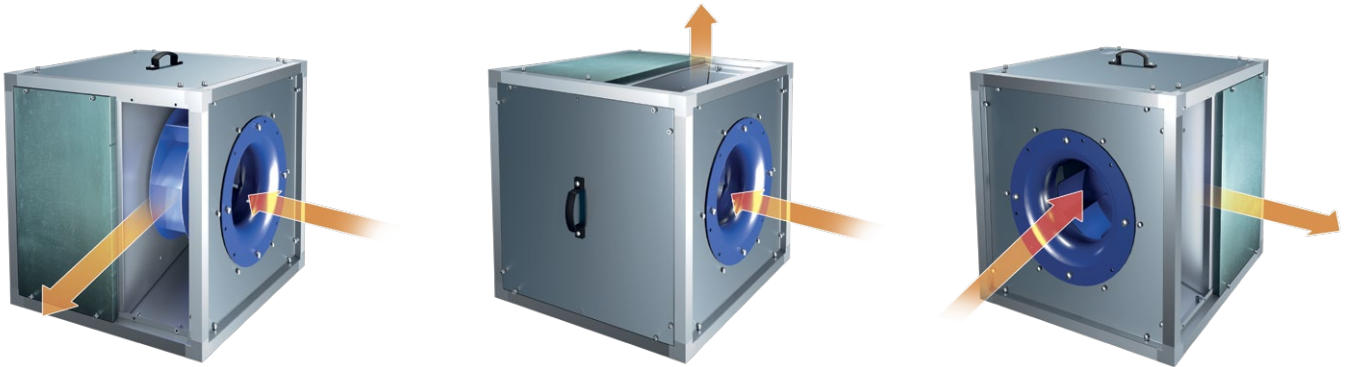
Designation key

Series	Spigot diameter [mm]	Motor	
		Number of poles	Phase
Iso-VK	315; 355; 400; 450; 500; 560; 630; 710; 800	2; 4; 6	E: single-phase D: three-phase

Accessories

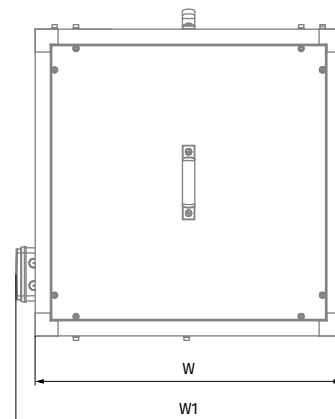
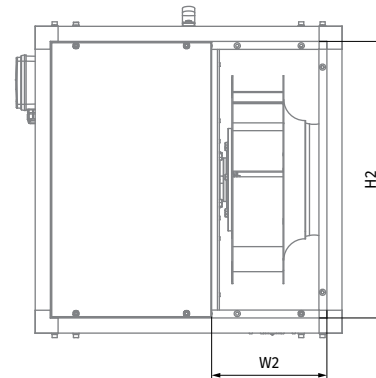
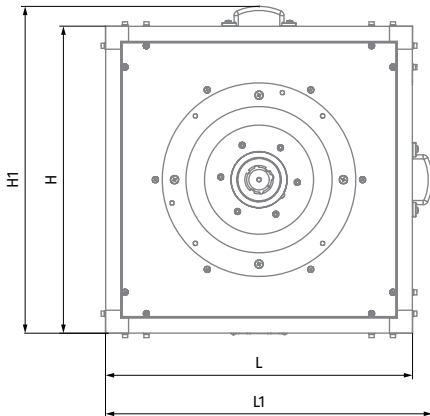
Flexible connector	Mounting bracket	Hood	Round flange	Speed controllers (3 ~ 400 only)	
					
EVA Iso-VK	MH Iso-VK	RSD Iso-VK	FR Iso-VK	CDR5E D... TP	CDR5E D... M

- The direction of air flow can be easily changed by rearranging the panel.



Dimensions [mm]

Type	H	H1	H2	L	L1	W	W1	W2	Weight [kg]
Iso-VK 315 2D	500	538	440	500	538	500	538	200	41
Iso-VK 315 2E	500	538	440	500	538	500	538	200	40.2
Iso-VK 315 4D	500	538	440	500	538	500	538	200	37.2
Iso-VK 315 4E	500	538	440	500	538	500	538	200	37.2
Iso-VK 355 4D	600	638	540	600	638	600	638	225	48.1
Iso-VK 355 4E	600	638	540	600	638	600	638	225	47.4
Iso-VK 400 4D	670	708	610	670	708	670	708	252	58.1
Iso-VK 400 4E	670	708	610	670	708	670	708	252	60.3
Iso-VK 450 4D	700	738	640	700	738	700	738	282	73.3
Iso-VK 450 4E	700	738	640	700	738	700	738	282	71.8
Iso-VK 500 4D	820	858	760	820	858	820	858	321	101.8
Iso-VK 500 4E	820	858	760	820	858	820	858	321	96.3
Iso-VK 560 4D	900	938	840	900	938	900	938	365	130.3
Iso-VK 630 4D	1000	1038	940	1000	1038	1000	1038	409	173.8
Iso-VK 710 6D	1075	1114	1015	1075	1152	1075	1112	455	210
Iso-VK 710 4D	1075	1114	1015	1075	1152	1075	1112	455	240
Iso-VK 800 6D	1175	1214	1115	1175	1252	1175	1212	505	275



Technical data

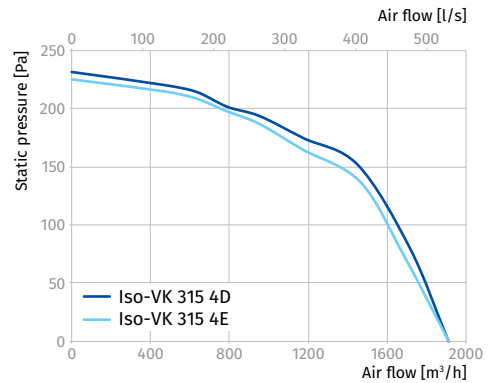
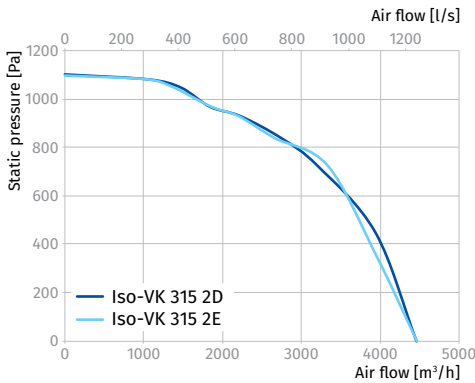
Parameters	Iso-VK 315 2D	Iso-VK 315 2E	Iso-VK 315 4D	Iso-VK 315 4E	Iso-VK 355 4D	Iso-VK 355 4E	Iso-VK 400 4D	Iso-VK 400 4E
Voltage [V]	3 ~ 400	1 ~ 230	3 ~ 400	1 ~ 230	3 ~ 400	1 ~ 230	3 ~ 400	1 ~ 230
Frequency [Hz]	50		50		50		50	
Power [W]	1100		250		370		550	
Current [A]	2.4	7.6	0.7	2.16	1.1	3.3	1.7	4.4
Maximum air flow [m³/h (l/s)]	4460 (1239)		1910 (531)		3200 (889)		4550 (1264)	
RPM [min ⁻¹]	2885	2810	1385	1320	1375	1452	1400	1410
Sound pressure level at 3 m [dBA]	58	57	50	48	58	57	53	50
Transported air temperature [°C]	-25...+120		-25...+120		-25...+120		-25...+120	
IP rating	IPX4		IPX4		IPX4		IPX4	
Motor IP rating	IP55		IP55		IP55		IP55	

ISO-VK 315 2D, ISO-VK 315 2E

Sound power level, A-weighted	Total	Octave frequency bands [Hz]								LpA 3 m	LpA 1 m
		63	125	250	500	1000	2000	4000	8000		
Iso-VK 315 2D											
LWA to inlet [dBA]	90	63	86	87	70	58	54	58	48	69	79
LWA to outlet [dBA]	93	62	86	92	72	55	53	62	54	72	82
LWA to environment [dBA]	79	57	77	73	58	49	42	42	35	58	68
Iso-VK 315 2E											
LWA to inlet [dBA]	89	63	86	87	69	58	53	58	48	69	79
LWA to outlet [dBA]	91	60	85	90	71	54	52	61	53	71	81
LWA to environment [dBA]	78	56	76	72	57	49	42	41	34	57	67

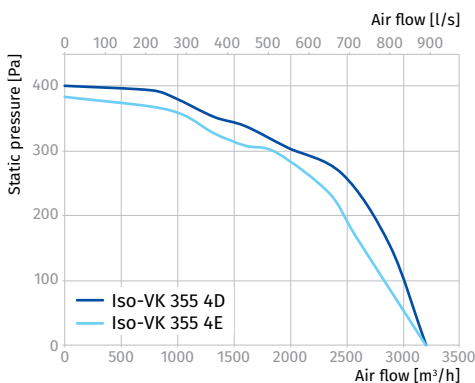
ISO-VK 315 4D, ISO-VK 315 4E

Sound power level, A-weighted	Total	Octave frequency bands [Hz]								LpA 3 m	LpA 1 m
		63	125	250	500	1000	2000	4000	8000		
Iso-VK 315 4D											
LWA to inlet [dBA]	83	58	79	81	65	54	50	55	45	63	73
LWA to outlet [dBA]	86	56	79	85	67	51	49	58	50	66	76
LWA to environment [dBA]	70	49	69	65	52	45	38	38	31	50	60
Iso-VK 315 4E											
LWA to inlet [dBA]	80	54	76	78	62	52	48	52	43	59	69
LWA to outlet [dBA]	84	54	77	83	65	50	48	56	49	64	74
LWA to environment [dBA]	69	48	67	64	51	44	37	37	31	48	58



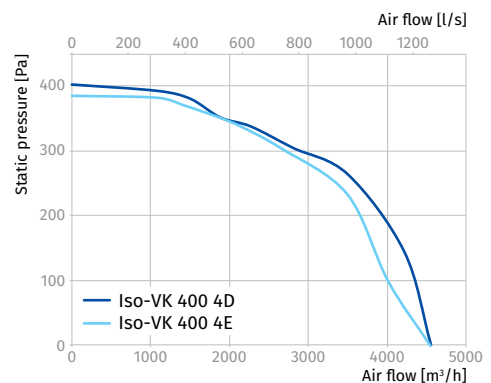
ISO-VK 355 4D, ISO-VK 355 4E

Sound power level, A-weighted	Total	Octave frequency bands [Hz]								LpA 3 m	LpA 1 m
		63	125	250	500	1000	2000	4000	8000		
Iso-VK 355 4D											
LWA to inlet [dBA]	86	60	83	84	67	56	52	56	47	66	76
LWA to outlet [dBA]	89	58	82	88	69	53	51	59	51	68	78
LWA to environment [dBA]	79	57	77	73	58	49	42	42	35	58	68
Iso-VK 355 4E											
LWA to inlet [dBA]	85	59	81	82	66	55	51	55	46	64	74
LWA to outlet [dBA]	88	57	81	87	68	53	50	59	51	68	78
LWA to environment [dBA]	78	56	76	72	57	49	42	41	34	57	67



ISO-VK 400 4D, ISO-VK 400 4E

Sound power level, A-weighted	Total	Octave frequency bands [Hz]								LpA 3 m	LpA 1 m
		63	125	250	500	1000	2000	4000	8000		
Iso-VK 400 4D											
LWA to inlet [dBA]	82	56	78	79	63	53	49	53	44	61	71
LWA to outlet [dBA]	84	54	77	83	65	50	48	56	49	64	74
LWA to environment [dBA]	74	52	72	68	54	46	40	39	33	53	63
Iso-VK 400 4E											
LWA to inlet [dBA]	80	55	76	78	63	53	49	53	44	60	70
LWA to outlet [dBA]	82	52	75	81	64	49	47	55	48	62	72
LWA to environment [dBA]	70	49	69	65	52	45	38	38	31	50	60

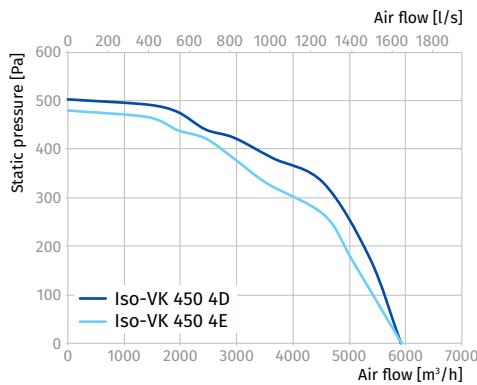


KITCHEN FANS

Parameters	Iso-VK 450 4D	Iso-VK 450 4E	Iso-VK 500 4D	Iso-VK 500 4E	Iso-VK 560 4D	Iso-VK 630 4D
Voltage [V]	3 ~ 400	1 ~ 230	3 ~ 400	1 ~ 230	3 ~ 400	3 ~ 400
Frequency [Hz]	50		50		50	50
Power [W]	750		1500		3000	4000
Current [A]	1.9	5.6	3.4	10.6	6.4	8.1
Maximum air flow [m³/h (l/s)]	5920 (1644)		9100 (2528)		12750 (3542)	17300 (4806)
RPM [min ⁻¹]	1435	1435	1450	1410	1450	1455
Sound pressure level at 3 m [dBA]	56	54	60	57	58	62
Transported air temperature [°C]	-25...+120		-25...+120		-25...+120	-25...+120
IP rating	IPX4		IPX4		IPX4	IPX4
Motor IP rating	IP55		IP55		IP55	IP55

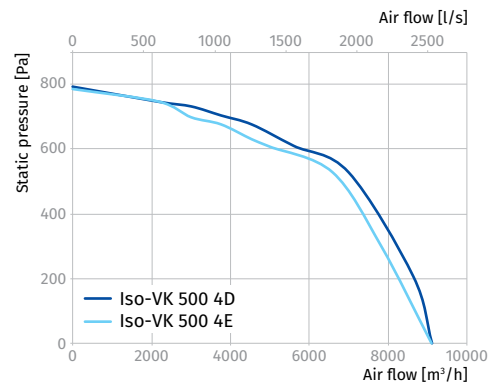
ISO-VK 450 4D, ISO-VK 450 4E

Sound power level, A-weighted	Total	Octave frequency bands [Hz]								LpA 3 m	LpA 1 m
		63	125	250	500	1000	2000	4000	8000		
Iso-VK 450 4D											
LWA to inlet [dBA]	87	61	83	85	67	57	52	57	47	66	76
LWA to outlet [dBA]	90	60	83	89	70	54	52	60	52	70	80
LWA to environment [dBA]	77	55	75	71	57	48	41	41	34	56	66
Iso-VK 450 4E											
LWA to inlet [dBA]	83	58	79	81	65	54	50	55	45	63	73
LWA to outlet [dBA]	86	56	79	85	67	51	49	58	50	66	76
LWA to environment [dBA]	74	53	72	69	55	47	40	40	33	54	64



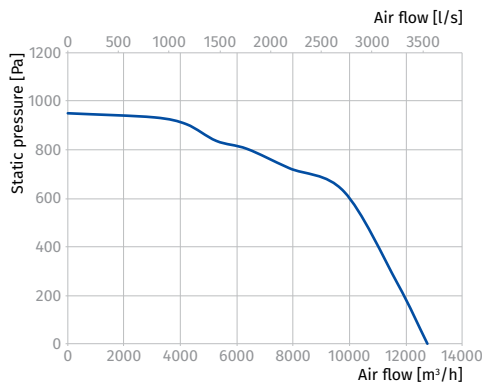
ISO-VK 500 4D, ISO-VK 500 4E

Sound power level, A-weighted	Total	Octave frequency bands [Hz]								LpA 3 m	LpA 1 m
		63	125	250	500	1000	2000	4000	8000		
Iso-VK 500 4D											
LWA to inlet [dBA]	90	63	86	87	70	58	54	58	48	69	79
LWA to outlet [dBA]	91	60	84	90	70	54	52	60	53	70	80
LWA to environment [dBA]	81	59	80	75	59	50	43	43	35	60	70
Iso-VK 500 4E											
LWA to inlet [dBA]	86	60	83	84	67	56	52	56	47	66	76
LWA to outlet [dBA]	89	59	82	88	69	53	51	60	52	69	79
LWA to environment [dBA]	77	56	76	72	57	48	41	41	34	57	67



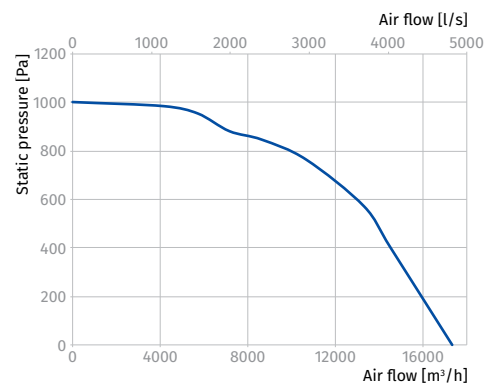
ISO-VK 560 4D

Sound power level, A-weighted	Total	Octave frequency bands [Hz]								LpA 3 m	LpA 1 m
		63	125	250	500	1000	2000	4000	8000		
LWA to inlet [dBA]	90	63	86	87	70	58	54	58	48	69	79
LWA to outlet [dBA]	91	60	84	90	70	54	52	60	53	70	80
LWA to environment [dBA]	78	57	77	73	58	49	42	42	34	58	68



ISO-VK 630 4D

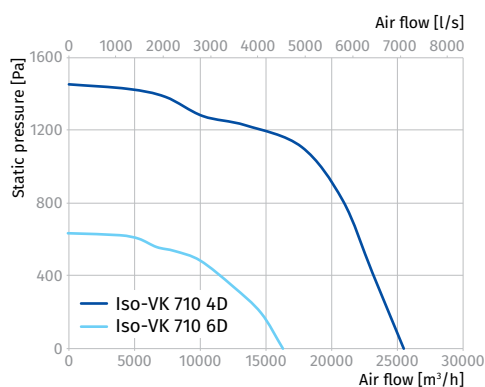
Sound power level, A-weighted	Total	Octave frequency bands [Hz]								LpA 3 m	LpA 1 m
		63	125	250	500	1000	2000	4000	8000		
LWA to inlet [dBA]	92	65	88	89	71	59	54	59	49	71	81
LWA to outlet [dBA]	97	66	91	96	75	58	55	64	56	77	87
LWA to environment [dBA]	83	61	81	76	61	51	44	43	36	62	72



Parameters	Iso-VK 710 4D	Iso-VK 710 6D	Iso-VK 800 6D
Voltage [V]	3 ~ 400	3 ~ 400	3 ~ 400
Frequency [Hz]	50	50	50
Power [W]	7500	2200	4000
Current [A]	16.1	5.1	8.7
Maximum air flow [m ³ /h (l/s)]	25500 (7083)	16400 (4556)	21860 (6072)
RPM [min ⁻¹]	1460	970	965
Sound pressure level at 3 m [dBA]	59	57	62
Transported air temperature [°C]	-25...+120	-25...+120	-25...+120
IP rating	IPX4	IPX4	IPX4
Motor IP rating	IP55	IP55	IP55

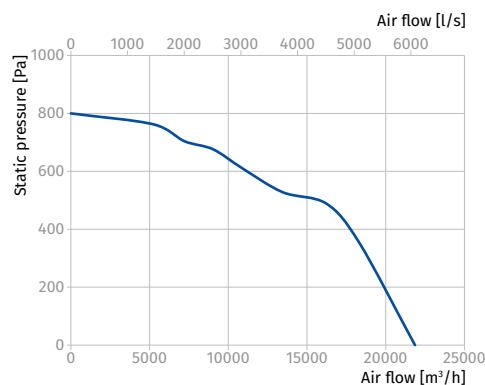
ISO-VK 710 4D, ISO-VK 710 6D

Sound power level, A-weighted	Total	Octave frequency bands [Hz]								LpA 3 m	LpA 1 m
		63	125	250	500	1000	2000	4000	8000		
Iso-VK 710 4D											
LWA to inlet [dBA]	91	64	87	88	70	59	54	59	49	70	80
LWA to outlet [dBA]	94	63	87	93	73	56	53	62	54	74	84
LWA to environment [dBA]	79	58	78	73	58	50	42	42	35	59	69
Iso-VK 710 6D											
LWA to inlet [dBA]	88	62	84	86	68	57	53	57	47	68	78
LWA to outlet [dBA]	91	60	84	90	70	54	52	60	53	70	80
LWA to environment [dBA]	77	56	76	72	57	48	41	41	34	57	67



ISO-VK 800 6D

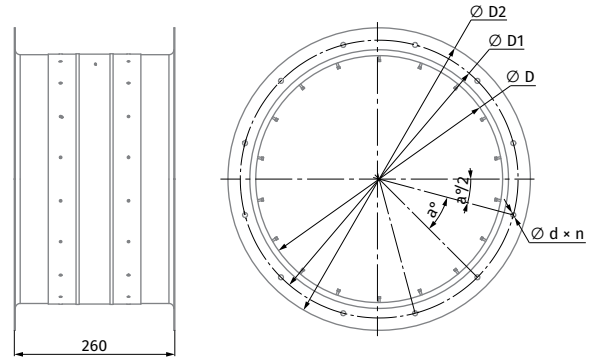
Sound power level, A-weighted	Total	Octave frequency bands [Hz]								LpA 3 m	LpA 1 m
		63	125	250	500	1000	2000	4000	8000		
LWA to inlet [dBA]	90	63	86	87	70	58	54	58	48	69	79
LWA to outlet [dBA]	94	63	87	93	73	56	53	62	54	74	84
LWA to environment [dBA]	83	61	81	76	61	51	44	43	36	62	72



Modifications and options

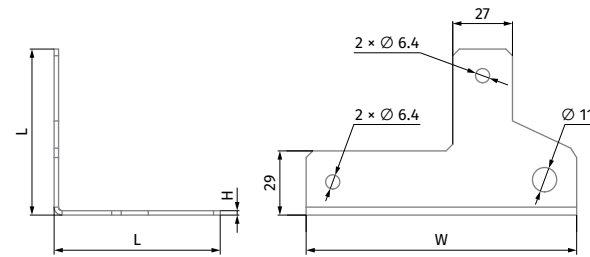
FLEXIBLE CONNECTOR EVA ISO-VK

Type	Dimensions [mm]						Weight [kg]
	Ø d	Ø D	Ø D1	Ø D2	n	a°	
EVA ISO-VK 315	8	315	365	405	6	60	4.76
EVA ISO-VK 355	10	355	395	435	8	45	4.08
EVA ISO-VK 400	8	400	450	490	12	30	4.76
EVA ISO-VK 450	8	450	500	540	12	30	5.34
EVA ISO-VK 500	12	500	560	600	12	30	6.12
EVA ISO-VK 560	12	560	620	660	12	30	6.83
EVA ISO-VK 630	12	630	690	730	12	30	7.66
EVA ISO-VK 710	12	710	770	810	16	22.5	8.6
EVA ISO-VK 800	12	800	860	900	16	22.5	9.67



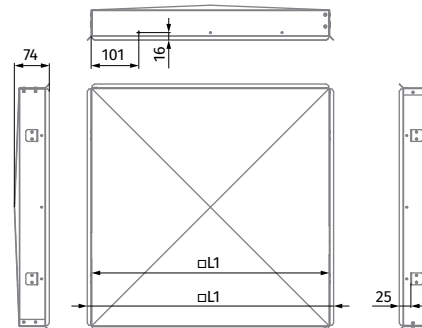
MOUNTING BRACKET MH ISO-VK

Type	Dimensions [mm]			Weight [kg]
	H	L	W	
MH ISO-VK 315...450	2	90	125	0.12
MH ISO-VK 500...800	3	90	125	0.21



HOOD RSD ISO-VK

Type	Dimensions [mm]		Weight [kg]
	L	L1	
RSD ISO-VK 315	503	522	2.42
RSD ISO-VK 355	603	622	3.25
RSD ISO-VK 400	673	692	3.91
RSD ISO-VK 450	703	722	4.21
RSD ISO-VK 500	823	842	6.57
RSD ISO-VK 560	903	922	7.71
RSD ISO-VK 630	1003	1022	9.27
RSD ISO-VK 710	1078	1097	10.53
RSD ISO-VK 800	1178	1197	12.3



ROUND FLANGE FR ISO-VK

Type	Dimensions [mm]						Weight [kg]
	Ø D	Ø D1	Ø D2	Ø d	n	a°	
FR ISO-VK 315	315	365	405	8	6	15	1.7
FR ISO-VK 355	355	405	445	8	6	15	1.9
FR ISO-VK 400	400	450	490	8	12	15	2.13
FR ISO-VK 450	450	500	540	8	12	15	2.39
FR ISO-VK 500	500	560	600	12	12	15	2.75
FR ISO-VK 560	560	620	660	12	12	15	3.06
FR ISO-VK 630	630	690	730	12	12	15	3.44
FR ISO-VK 710	710	770	810	12	16	11.25	22.5
FR ISO-VK 800	800	860	900	12	16	11.25	22.5

