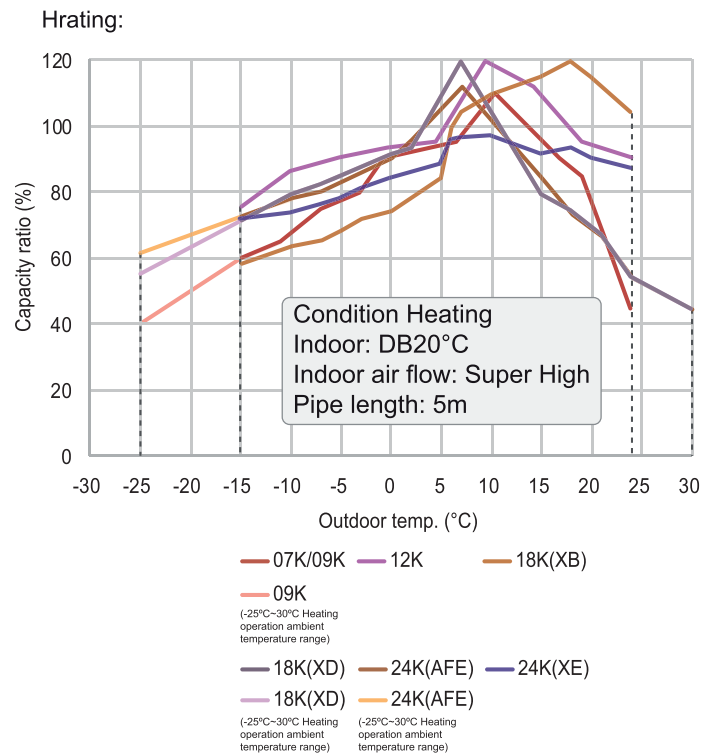
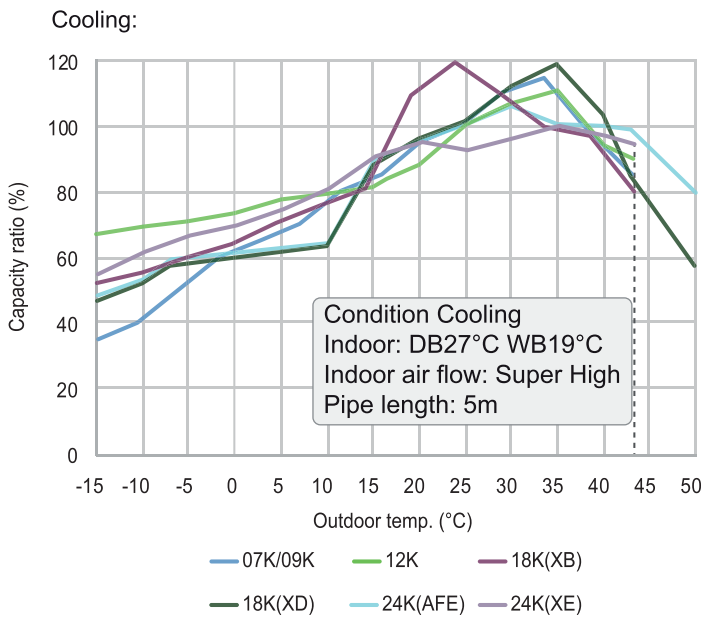


Model		-	SOH18CH-E32DA1A	
Product Code		-	CB574002800	
Power Supply	Rated Voltage	V~	220-240	
	Rated Frequency	Hz	50	
	Phases	-	1	
Power Supply Mode		-	Outdoor	
Cooling Capacity		W	4600	
Heating Capacity		W	5200	
Cooling Power Input		W	1353	
Heating Power Input		W	1334	
Cooling Power Current		A	6.2	
Heating Power Current		A	6.1	
Rated Input		W	1900	
Rated Cooling Current		A	8.5	
Rated Heating Current		A	8.5	
Air Flow Volume		m ³ /h	1000/960/870/810/720/640/600	
Dehumidifying Volume		L/h	1.8	
EER		W/W	3.40	
COP		W/W	3.90	
SEER		-	7.2	
SCOP (Average/Warmer/Colder)		-	4.0/5.1/-	
Application Area		m ²	21-31	
Indoor Unit	Model of indoor unit		SOH18CH-E32DA1A/I	
	Indoor Unit Product Code		CB574N02800	
	Fan Type		Cross-flow	
	Fan Diameter Length(DXL)		Φ108x691	
	Cooling Speed		1200/1100/1030/960/800/700/650	
	Heating Speed		1200/1150/1040/980/930/880/800	
	Fan Motor Power Output		45	
	Fan Motor RLA		0.25	
	Fan Motor Capacitor		/	
	Evaporator Form		Aluminum Fin-copper Tube	
	Evaporator Pipe Diameter		Φ5	
	Evaporator Row-fin Gap		2-1.2	
	Evaporator Coil Length (LXD _X W)		700×22.8×381	
	Swing Motor Model		MP35CJ/MP24HF	MP35CJ
	Swing Motor Power Output		2.5/1.5	2.5
	Fuse Current		3.15	
	Sound Pressure Level		Cooling: 47/45/43/41/35/30/28 Heating: 46/44/41/38/37/36/33	
	Sound Power Level		Cooling: 60/58/56/54/48/44/41 Heating: 60/58/55/52/51/50/47	
	Dimension (WXHXD)		943X333X246	
	Dimension of Carton Box (LXWXH)		996X397X312	
Dimension of Package (LXWXH)		1001X405X322		
Net Weight		13		
Gross Weight		15.5		

Outdoor Unit	Outdoor Unit Model	-	SOH18CH-E32DA1A/O
	Outdoor Unit Product Code	-	CB574W02800
	Compressor Manufacturer	-	ZHUHAI LANDA COMPRESSOR CO., LTD.
	Compressor Model	-	FTz-AN108ACBD
	Compressor Oil	-	FW68DA or equivalent
	Compressor Type	-	Rotary
	Compressor LRA.	A	19
	Compressor RLA	A	4.4
	Compressor Power Input	W	952
	Compressor Overload Protector	-	/
	Throttling Method	-	Capillary
	Set Temperature Range	°C	16~30
	Cooling Operation Ambient Temperature Range	°C	-15~43
	Heating Operation Ambient Temperature Range	°C	-15~24
	Condenser Form	-	Aluminum Fin-copper Tube
	Condenser Pipe Diameter	mm	Φ7
	Condenser Rows-fin Gap	mm	2-1.4
	Condenser Coil Length (LXDXW)	mm	700×38.1×528
	Fan Motor Speed	rpm	1000
	Fan Motor Power Output	W	30
	Fan Motor RLA	A	0.4
	Fan Motor Capacitor	μF	/
	Outdoor Unit Air Flow Volume	m ³ /h	2100
	Fan Type	-	Axial-flow
	Fan Diameter	mm	Φ420
	Defrosting Method	-	Automatic Defrosting
	Climate Type	-	T1
	Isolation	-	I
	Moisture Protection	-	IPX4
	Permissible Excessive Operating Pressure for the Discharge Side	MP	4.3
	Permissible Excessive Operating Pressure for the Suction Side	MP	2.5
	Sound Pressure Level	dB (A)	55
	Sound Power Level	dB (A)	65
Dimension(WXHXD)	mm	732X555X330	
Dimension of Carton Box (LXWXH)	mm	791X373X590	
Dimension of Package(LXWXH)	mm	794X376X615	
Net Weight	kg	27.5	
Gross Weight	kg	30	
Refrigerant	-	R32	
Refrigerant Charge	kg	0.77	
Connection Pipe	Connection Pipe Length	m	5
	Connection Pipe Gas Additional Charge	g/m	16
	Outer Diameter Liquid Pipe	inch	1/4
	Outer Diameter Gas Pipe	inch	3/8
	Max Distance Height	m	10
	Max Distance Length	m	25
Note: The connection pipe applies metric diameter.			

The above data is subject to change without notice. Please refer to the nameplate of the unit.

2.2 Capacity Variation Ratio According to Temperature



2.3 Cooling and Heating Data Sheet in Rated Frequency

Cooling:

Rated cooling condition(°C) (DB/WB)		Model	Pressure of gas pipe connecting indoor and outdoor unit P (MPa)	Inlet and outlet pipe temperature of heat exchanger		Fan speed of indoor unit	Fan speed of outdoor unit
Indoor	Outdoor			T1 (°C)	T2 (°C)		
27/19	35/24	07K / 09K	0.8 ~ 1.1	12 ~ 15	68 ~ 38	Super High	High
27/19	35/24	18K	0.9 ~ 1.1	12 ~ 14	75 ~ 37	Super High	High
27/19	35/24	12K / 24K	0.9 ~ 1.1	12 ~ 14	75 ~ 37	Super High	High

Heating:

Rated heating condition(°C) (DB/WB)		Model	Pressure of gas pipe connecting indoor and outdoor unit P (MPa)	Inlet and outlet pipe temperature of heat exchanger		Fan speed of indoor unit	Fan speed of outdoor unit
Indoor	Outdoor			T1 (°C)	T2 (°C)		
20/-	7/6	07K / 09K	2.8 ~ 3.2	63 ~ 35	2 ~ 5	Super High	High
20/-	7/6	18K	2.2 ~ 2.4	70 ~ 40	1 ~ 5	Super High	High
20/-	7/6	12K / 24K	2.2 ~ 2.4	70 ~ 35	2 ~ 4	Super High	High

Instruction:

T1: Inlet and outlet pipe temperature of evaporator

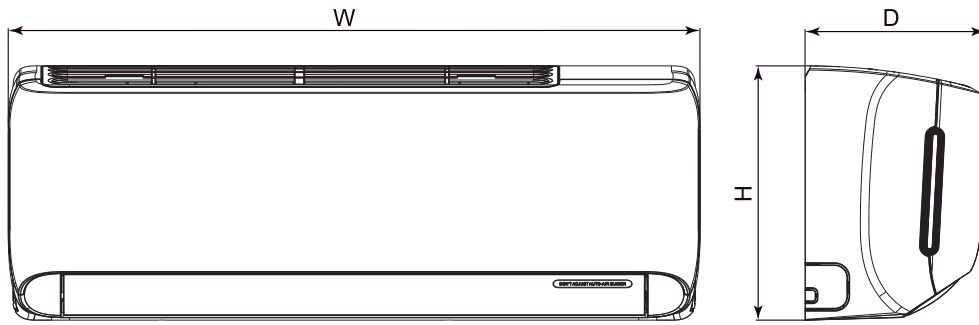
T2: Inlet and outlet pipe temperature of condenser

P: Pressure at the side of big valve

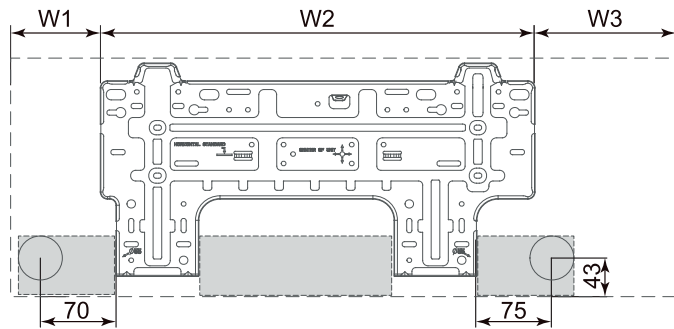
Connection pipe length: 5 m.

3. Outline Dimension Diagram

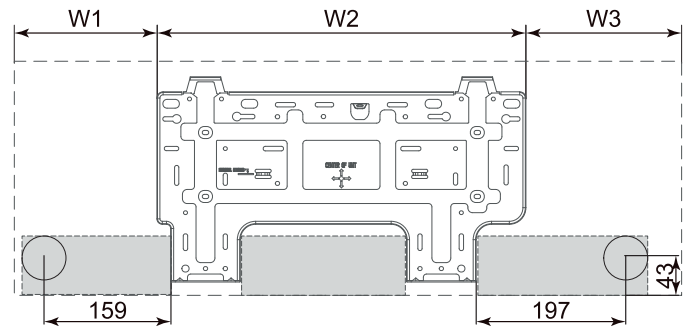
3.1 Indoor Unit



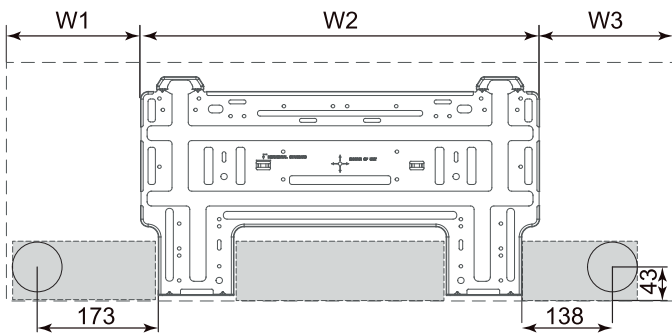
ATA/ATB



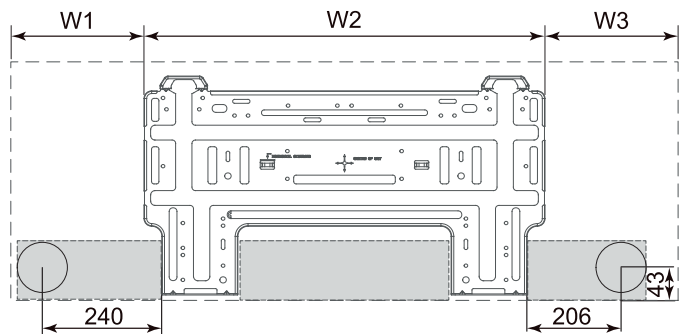
ATC



ATD



ATE

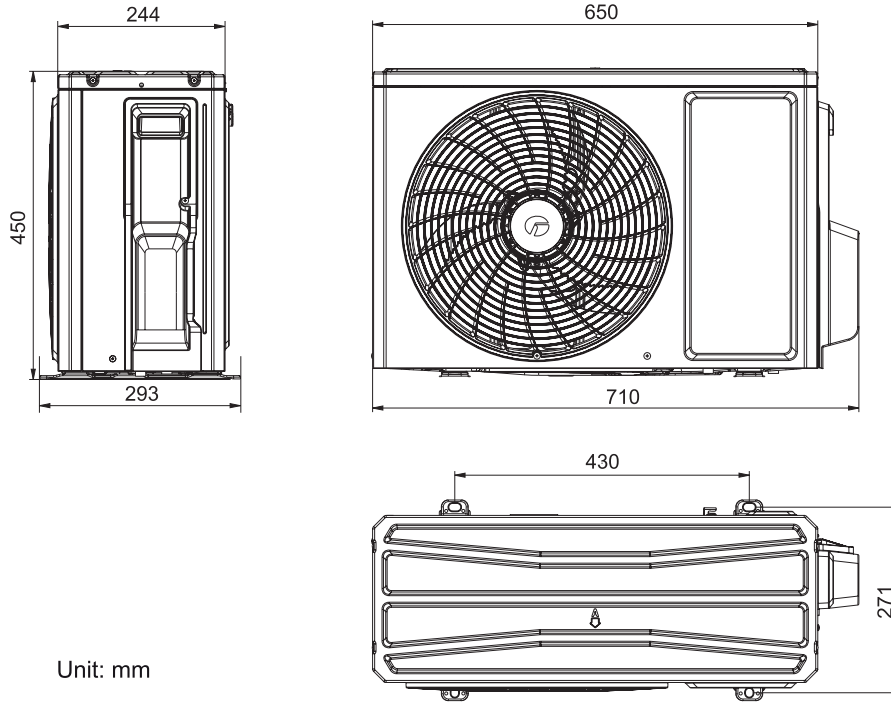


Unit:mm

Model	W	H	D	W1	W2	W3
ATA	708	260	185	96	461	151
ATB	783	260	185	134	461	188
ATC	835	275	200	178	462	195
ATD	943	333	246	191.5	561.5	190
ATE	1078	333	246	258.5	561.5	258

3.2 Outdoor Unit

07K



09K / 12K / 18K(XB)

