

2. Specifications

2.1 Specification Sheet

Model			GWH09AGA-K6DNA1A GWH09AGA-K6DNA4A GWH09AGA-K6DNA2A	GWH12AGB-K6DNA1A GWH12AGB-K6DNA4A GWH12AGB-K6DNA2A	
Product Code			CB385001000/CB385001002 CB558000102 CB543000700	CB385001700/CB385001702 CB558000201 CB543000900	
Power Supply	Rated Voltage	V~	220-240	220-240	
	Rated Frequency	Hz	50	50	
	Phases		1	1	
Power Supply Mode			Outdoor	Outdoor	
Cooling Capacity		W	2500	3200	
Heating Capacity		W	2800	3400	
Cooling Power Input		W	720	991	
Heating Power Input		W	750	916	
Cooling Power Current		A	3.2	4.4	
Heating Power Current		A	3.2	4	
Rated Input		W	1500	1500	
Rated Current		A	6	6	
Rated Heating Current		A	7.5	7.5	
Air Flow Volume(SS/H/MH/M/ML/L/SL)		m ³ /h	500/470/430/390/320/270/250	590/520/480/400/350/320/280	
Dehumidifying Volume		L/h	0.6	1.4	
EER		W/W	3.47	3.23	
COP		W/W	3.73	3.71	
SEER		W/W	6.5	6.1	
SCOP(Average/Warmer/Colder)			4/5.1/-	4/5.1/-	
HSPF			/	/	
Application Area		m ²	10-16	15-22	
Indoor Unit	Indoor Unit Model		GWH09AGA-K6DNA1A/I GWH09AGA-K6DNA4A/I GWH09AGA-K6DNA2A/I	GWH12AGB-K6DNA1A/I GWH12AGB-K6DNA4A/I GWH12AGB-K6DNA2A/I	
	Indoor Unit Product Code		CB385N01000/CB385N01002 CB558N00102 CB543N00700	CB385N01700/CB385N01702 CB558N00201 CB543N00900	
	Fan Type		Cross-flow	Cross-flow	
	Diameter Length(DXL)		mm	Φ93X505	Φ93X633.5
	Fan Motor Cooling Speed(SS/H/MH/M/ML/L/SL)		r/min	1300/1200/1120/1050/920/800/750	1350/1200/1120/1050/950/850/750
	Fan Motor Heating Speed(SS/H/MH/M/ML/L/SL)		r/min	1300/1200/1120/1050/950/850/800	1350/1200/1120/1050/990/920/850
	Output of Fan Motor		W	20	20
	Fan Motor RLA		A	0.22	0.22
	Fan Motor Capacitor		μF	1	1
	Input of Heater		W	/	/
	Evaporator Form			Aluminum Fin-copper Tube	Aluminum Fin-copper Tube
	Pipe Diameter		mm	Φ5	Φ5
	Row-fin Gap		mm	2-1.4	2-1.4
	Coil Length (LXDXW)		mm	509X22.8X266.7	584X22.8X266.7
	Swing Motor Model			MP24AK/MP24BA/MP24HF	MP24AK/MP24BA/MP24HF
	Output of Swing Motor		W	1.5/1.5/1.5	1.5/1.5/1.5
	Fuse		A	3.15	3.15
	Sound Pressure Level(SS/H/MH/M/ML/L/SL)		dB (A)	Cooling:38/36/34/32/28/25/24 Heating:37/36/34/33/30/26/25	Cooling:41/37/35/33/30/26/24 Heating:41/37/35/33/31/28/25
	Sound Power Level(SS/H/MH/M/ML/L/SL)		dB (A)	Cooling:55/48/46/44/40/37/36 Heating:49/48/46/45/42/38/37	Cooling:56/49/47/45/42/38/36 Heating:53/49/47/45/43/40/37
	Dimension (WXHXD)		mm	704X260X185	779X260X185
Dimension of Carton Box (LXWXH)		mm	748X316X247	823X316X247	
Dimension of Package (LXWXH)		mm	753X332X258	828X332X258	
Net Weight		kg	7.5	8	
Gross Weight		kg	9	9.5	

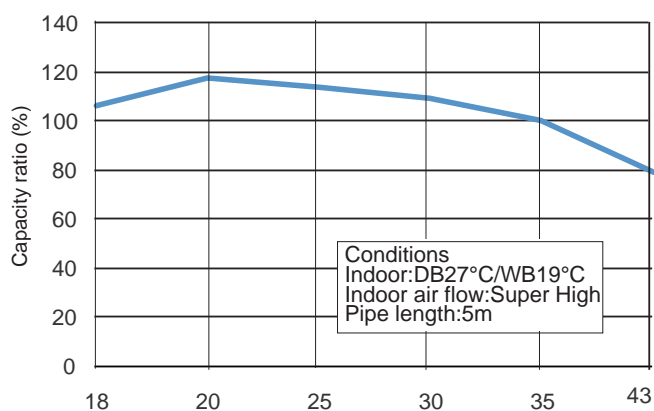
Outdoor Unit	Model of Outdoor Unit		GWH09AGA-K6DNA1A/O	GWH12AGB-K6DNA1A/O
	Product Code of Outdoor Unit		CB385W01000	CB385W01700
	Compressor Manufacturer/Trademark		ZHUHAI LANDA COMPRESSOR CO.,LTD	ZHUHAI LANDA COMPRESSOR CO., LTD
	Compressor Model		FTz-AN075ACBF-A	FTz-AN088ACBF-A
	Compressor Oil		FW68DA	FW68DA
	Compressor Type		Rotary	Rotary
	L.R.A.	A	20.00	/
	Compressor RLA	A	3.00	3.60
	Compressor Power Input	W	633	758
	Overload Protector		/	/
	Throttling Method		Capillary	Capillary
	Operation Temp	°C	16~30	16~30
	Ambient Temp (Cooling)	°C	-15~43	-15~43
	Ambient Temp (Heating)	°C	-15~24	-15~24
	Condenser Form		Aluminum Fin-copper Tube	Aluminum Fin-copper Tube
	Pipe Diameter	mm	Φ7	Φ7
	Rows-fin Gap	mm	1-1.4	1-1.4
	Coil Length (LXD _{XW})	mm	700X19.05X528	700X19.05X528
	Fan Motor Speed	rpm	900	900
	Output of Fan Motor	W	30	30
	Fan Motor RLA	A	0.40	0.40
	Fan Motor Capacitor	μF	/	/
	Air Flow Volume of Outdoor Unit	m ³ /h	2200	2200
	Fan Type		Axial-flow	Axial-flow
	Fan Diameter	mm	Φ400	Φ400
	Defrosting Method		Automatic Defrosting	Automatic Defrosting
	Climate Type		T1	T1
	Isolation		I	I
	Moisture Protection		IPX4	IPX4
	Permissible Excessive Operating Pressure for the Discharge Side	MPa	4.3	4.3
	Permissible Excessive Operating Pressure for the Suction Side	MPa	2.5	2.5
	Sound Pressure Level (H/M/L)	dB (A)	51/-/-	51/-/-
	Sound Power Level (H/M/L)	dB (A)	62/-/-	64/-/-
Dimension (WXHXD)	mm	732X550X330	732X550X330	
Dimension of Carton Box (LXWXH)	mm	789X390X600	789X390X600	
Dimension of Package (LXWXH)	mm	792X393X615	792X393X615	
Net Weight	kg	25	25	
Gross Weight	kg	27.5	27.5	
Refrigerant		R32	R32	
Refrigerant Charge	kg	0.5	0.55	
Connection Pipe	Length	m	5	5
	Gas Additional Charge	g/m	16	16
	Outer Diameter Liquid Pipe	inch	1/4	1/4
	Outer Diameter Gas Pipe	inch	3/8	3/8
	Max Distance Height	m	10	10
	Max Distance Length	m	15	15
Note: The connection pipe applies metric diameter.				

The above data is subject to change without notice; please refer to the nameplate of the unit.

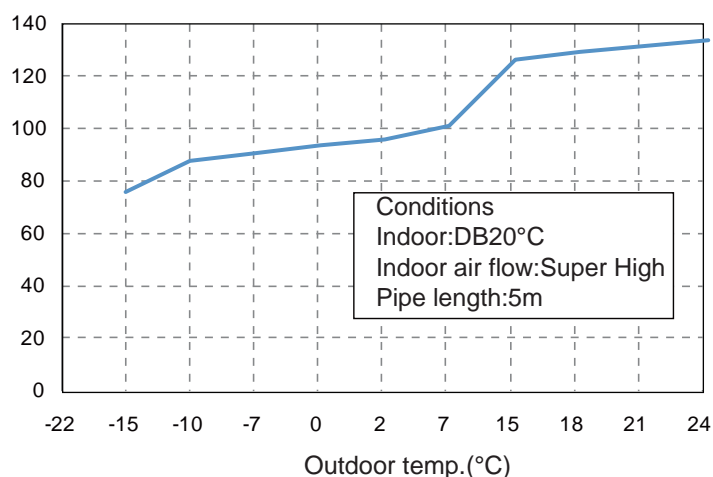
2.2 Capacity Variation Ratio According to Temperature

All model except GWH12AGC-K6DNA1A

Cooling:

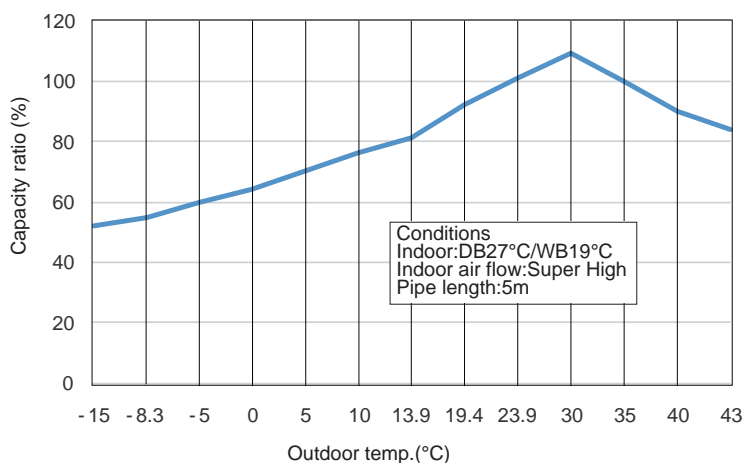


Heating



GWH12AGC-K6DNA1A

Cooling:



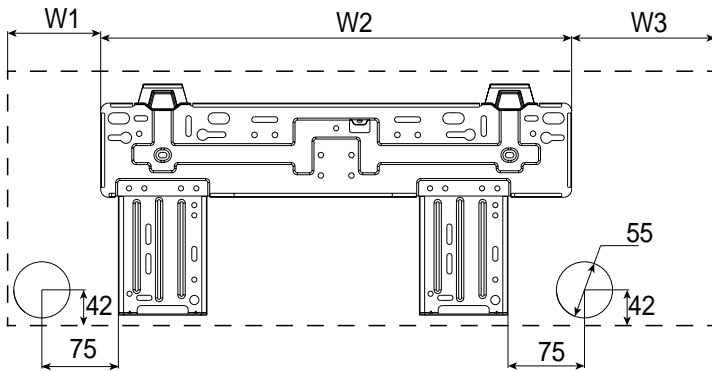
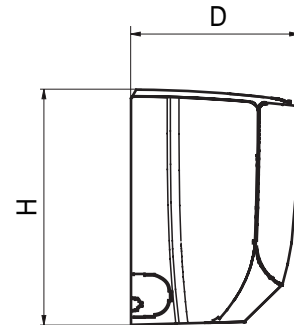
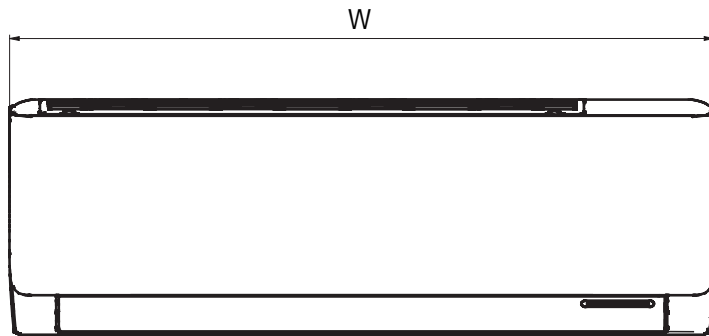
2.3 Cooling and Heating Data Sheet in Rated Frequency

Cooling:

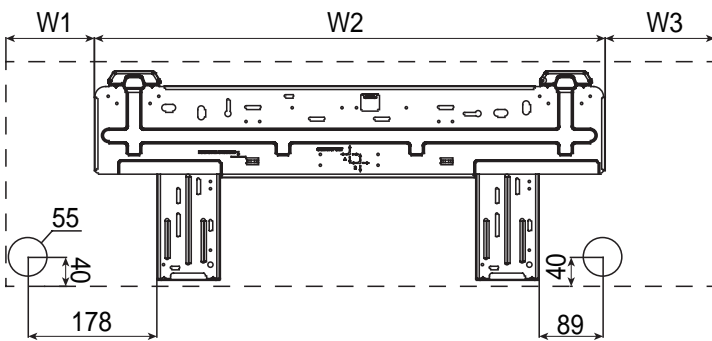
Rated cooling condition(°C) (DB/WB)		Model	Pressure of gas pipe connecting indoor and outdoor unit	Inlet and outlet pipe temperature of heat exchanger		Fan speed of indoor unit	Fan speed of outdoor unit
Indoor	Outdoor			T1 (°C)	T2 (°C)		
27/19	35/24	09K	0.8~1.1	12 to 15	65 to 38	TURBO	High
		12K		11 to 14	64 to 37		
		18K	0.9~1.1	12 to 14	75 to 37		
		24K	0.8 ~ 1.0	10 to 12	72 to 40		

3. Outline Dimension Diagram

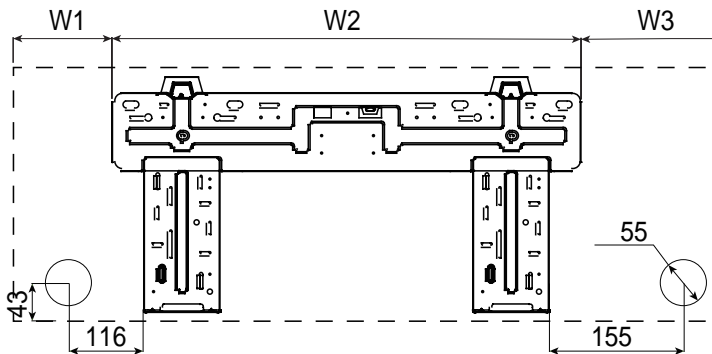
3.1 Indoor Unit



AGA/AGB



AGD



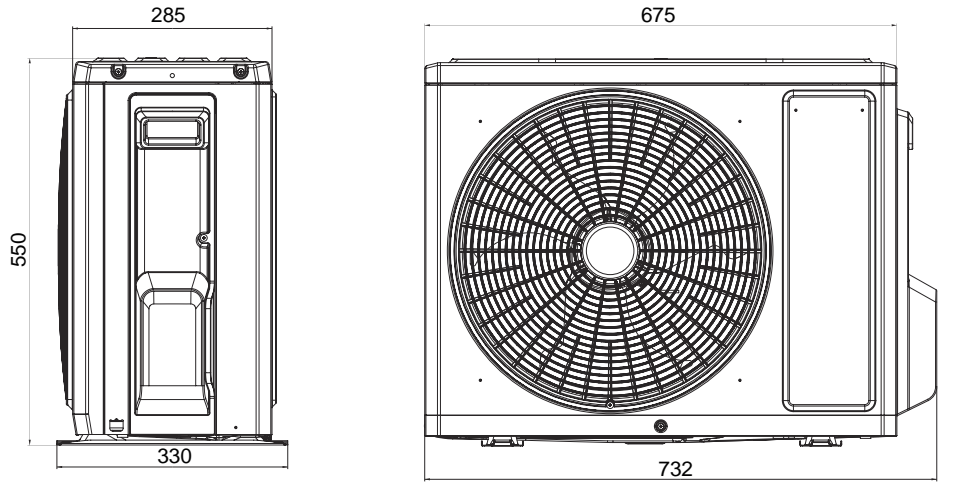
AGC

Unit:mm

Model	W	H	D	W1	W2	W3
AGA	704	260	185	93	462	149
AGB	779	260	185	133.5	462	183.5
AGC	825	293	196	113	542	170
AGD	982	311	221	122.5	707.5	152

3.2 Outdoor Unit

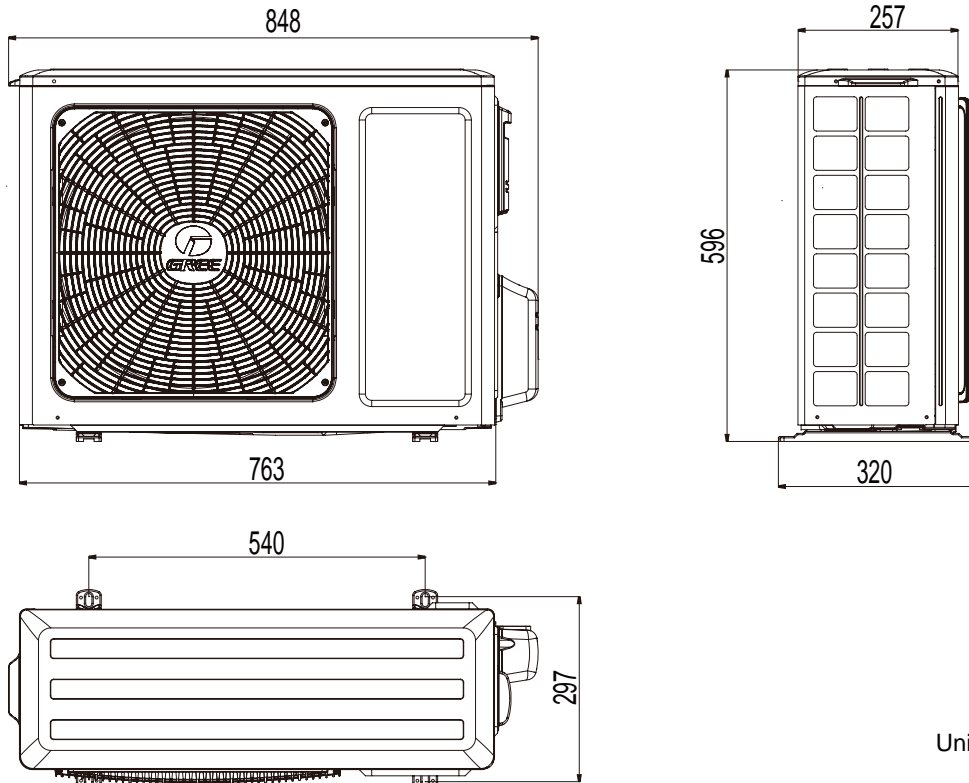
09/12K
GWH18AGD-K6DNA1D/O



Unit:mm



GWH18AGD-K6DNA1A/O



Unit:mm