

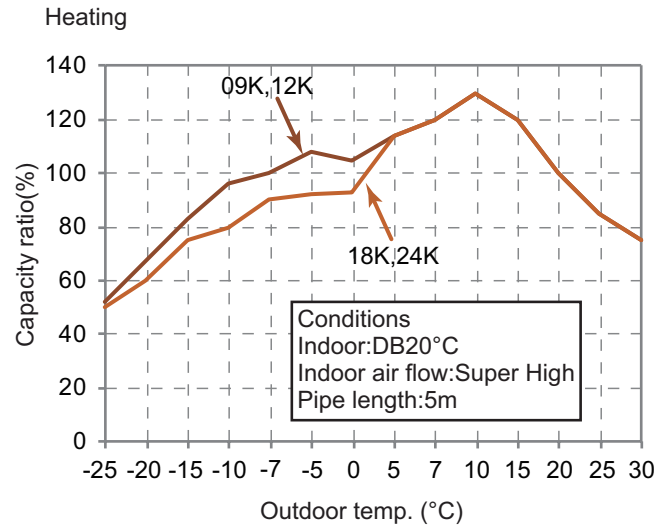
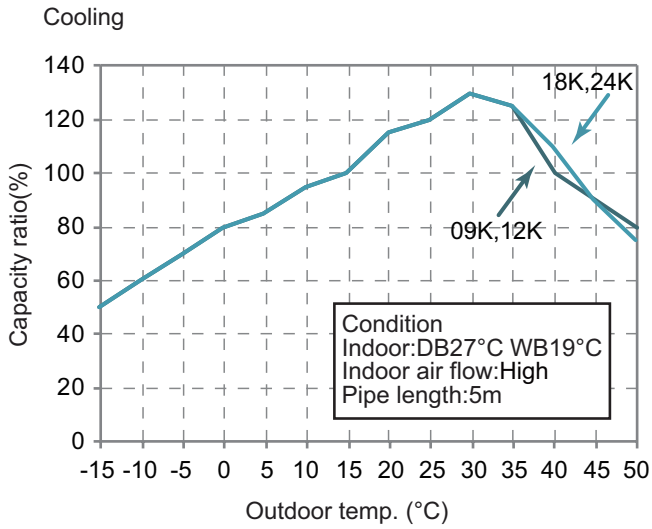
Model		-	GWH18AWDXE-K6DNA4A	
Product Code		-	CB622003200/CB622003202	CB622003201
Power Supply	Rated Voltage	V~	220-240	
	Rated Frequency	Hz	50	
	Phases	-	1	
Power Supply Mode		-	Outdoor	
Cooling Capacity		W	5100	
Heating Capacity		W	5600	
Cooling Power Input		W	1417	
Heating Power Input		W	1365	
Cooling Current Input		A	6.4	
Heating Current Input		A	6.2	
Rated Input		W	2300	
Rated Cooling Current		A	11.5	
Rated Heating Current		A	11.5	
Air Flow Volume		m ³ /h	1000/960/870/810/720/640/600	
Dehumidifying Volume		L/h	1.80	
EER		W/W	3.6	
COP		W/W	4.1	
SEER		-	8.5	
SCOP(Average/Warmer/Colder)		-	4.6/5.8/3.7	
Application Area		m ²	23-34	
Indoor Unit	Indoor Unit Model	-	GWH18AWDXE-K6DNA4A/I	
	Indoor Unit Product Code	-	CB622N03200/CB622N03202	CB622N03201
	Fan Type	-	Cross-flow	
	Fan Diameter Length(DXL)	mm	Φ108X691	
	Cooling Speed	r/min	1150/1100/1030/960/800/750/700/600	
	Heating Speed	r/min	1200/1150/1040/980/930/880/800	
	Fan Motor Power Output	W	45	
	Fan Motor RLA	A	0.25	
	Fan Motor Capacitor	μF	/	
	Evaporator Form	-	Aluminum Fin-copper Tube	
	Evaporator Pipe Diameter	mm	Φ5	
	Evaporator Row-fin Gap	mm	2-1.2	
	Evaporator Coil Length (LXDXW)	mm	701×22.8×381	
	Swing Motor Model	-	MP35CJ/MP24HF	
	Swing Motor Power Output	W	2.5/1.5	
	Fuse Current	A	3.15	
	Sound Pressure Level	dB (A)	Cooling: 47/45/43/41/35/33/30/26 Heating: 47/45/42/40/38/36/33	
	Sound Power Level	dB (A)	Cooling: 60/58/56/54/48/46/43/39 Heating: 60/58/55/53/51/49/46	
	Dimension (WXHXD)	mm	978X333X248	
	Dimension of Carton Box (LXWXH)	mm	1033X398X319	
Dimension of Package (LXWXH)	mm	1038X406X329		
Net Weight	kg	13.5		
Gross Weight	kg	16		

Outdoor Unit	Outdoor Unit Model	-	GWH18AWDXE-K6DNA4A/O		
	Outdoor Unit Product Code	-	CB622W03200	CB622W03201	
	Compressor Manufacturer	-	ZHUHAI LANDA COMPRESSOR CO., LTD.		
	Compressor Model	-	QXF-M130zF170		
	Compressor Oil	-	FW68DA or equivalent		
	Compressor Type	-	Rotary		
	Compressor LRA.	A	22		
	Compressor RLA	A	5.36		
	Compressor Power Input	W	1196		
	Compressor Overload Protector	-	/		
	Throttling Method	-	Electron expansion valve		
	Set Temperature Range	°C	16~30		
	Cooling Operation Ambient Temperature Range	°C	-15~50		
	Heating Operation Ambient Temperature Range	°C	-15~30	-25~30	
	Condenser Form	-	Aluminum Fin-copper Tube		
	Condenser Pipe Diameter	mm	Φ7.94		
	Condenser Rows-fin Gap	mm	2-1.4		
	Condenser Coil Length (LXDXW)	mm	833×38.1×528		
	Fan Motor Speed	rpm	970		
	Fan Motor Power Output	W	40		
	Fan Motor RLA	A	0.7		
	Fan Motor Capacitor	μF	/		
	Outdoor Unit Air Flow Volume	m ³ /h	3000		
	Fan Type	-	Axial-flow		
	Fan Diameter	mm	Φ445		
	Defrosting Method	-	Automatic Defrosting		
	Climate Type	-	T1		
	Isolation	-	I		
	Moisture Protection	-	IPX4		
	Permissible Excessive Operating Pressure for the Discharge Side	MPa	4.3		
	Permissible Excessive Operating Pressure for the Suction Side	MPa	2.5		
	Sound Pressure Level	dB (A)	59		
	Sound Power Level	dB (A)	65		
Dimension (WXHXD)	mm	873X555X376			
Dimension of Carton Box (LXWXH)	mm	948X428X591			
Dimension of Package (LXWXH)	mm	951X431X620			
Net Weight	kg	37			
Gross Weight	kg	40			
Refrigerant	-	R32			
Refrigerant Charge	kg	0.95			
Connection Pipe	Connection Pipe Length	m	5		
	Connection Pipe Gas Additional Charge	g/m	16		
	Outer Diameter Liquid Pipe	inch	1/4		
	Outer Diameter Gas Pipe	inch	1/2		
	Max Distance Height	m	10		
	Max Distance Length	m	25		
	Note: The connection pipe applies metric diameter.				

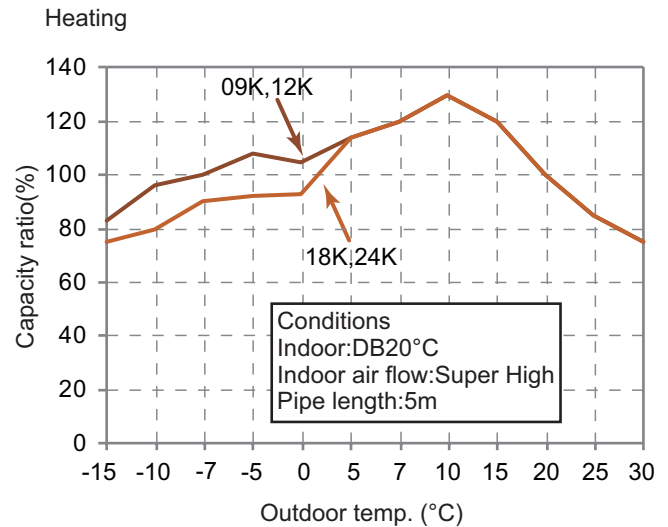
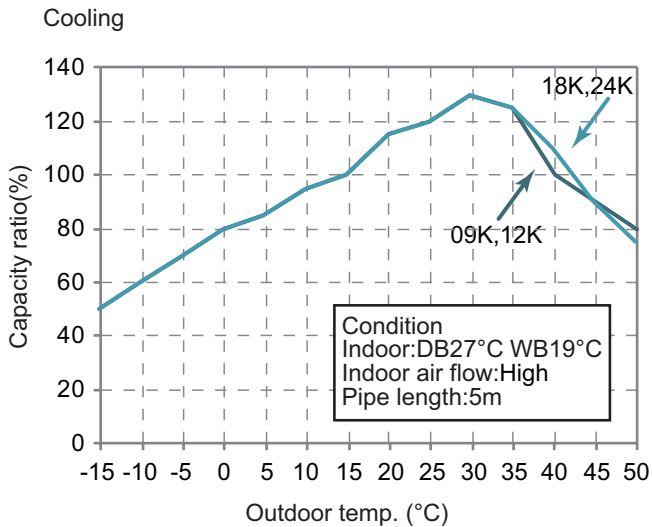
The above data is subject to change without notice. Please refer to the nameplate of the unit.

2.2 Capacity Variation Ratio According to Temperature

Heating operation ambient temperature range is -25°C~30°C

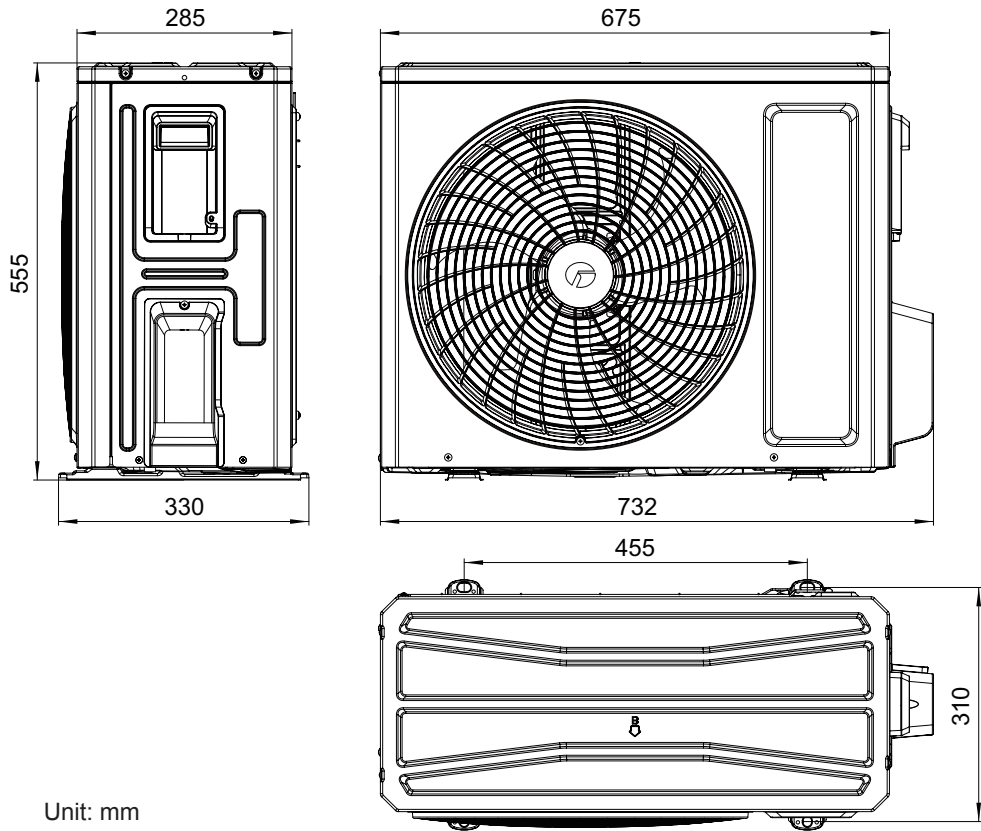


Heating operation ambient temperature range is -15°C~30°C

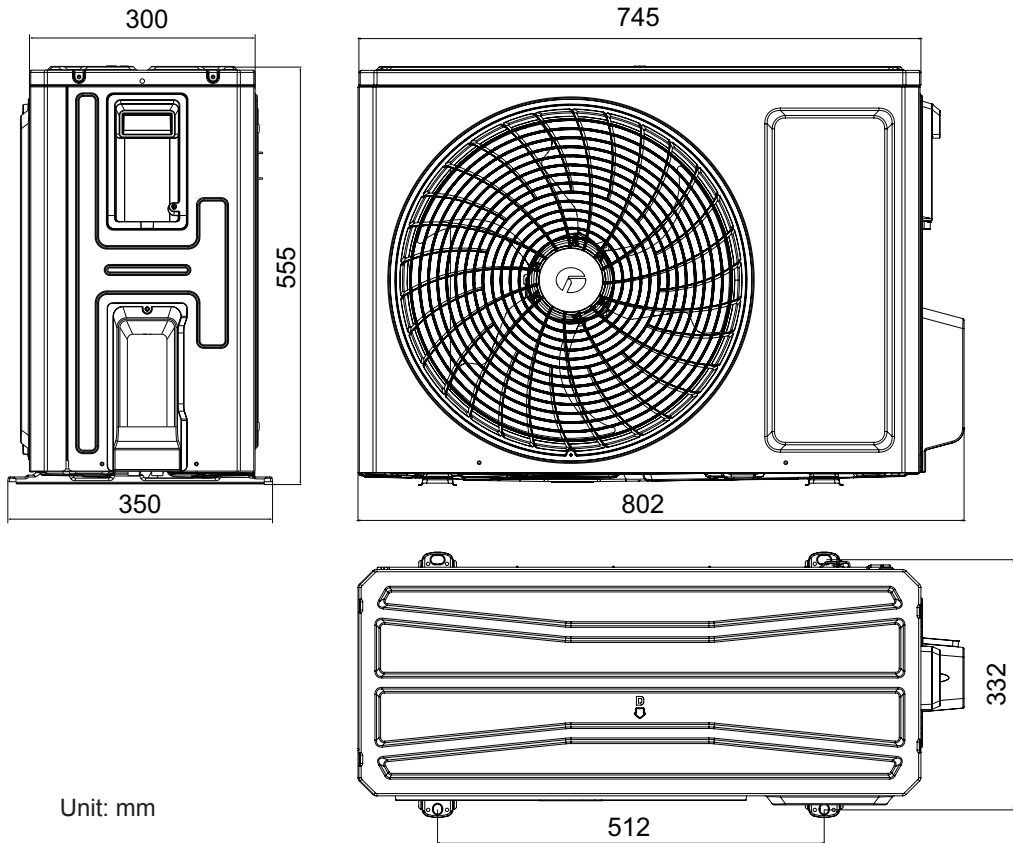


3.2 Outdoor Unit

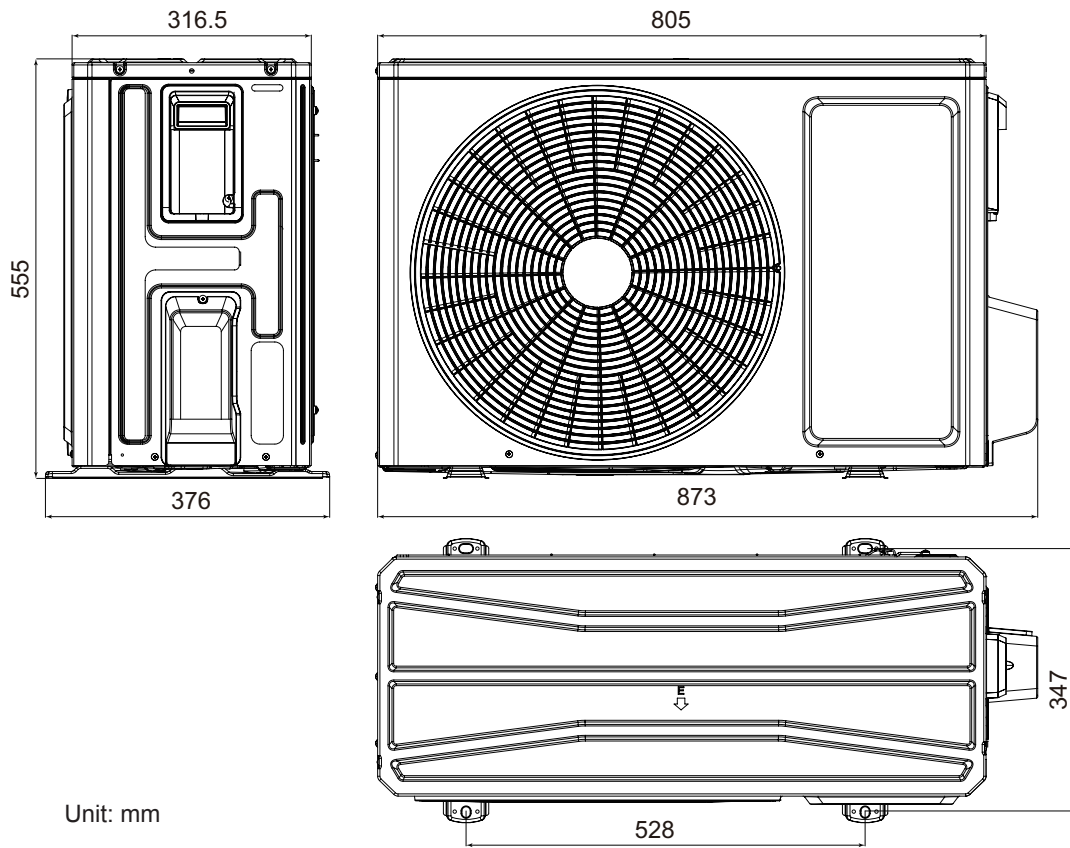
GWH09ACCXB-K6DNA1G/O GWH12ATCXB-K6DNA1A/O



GWH12AWCXD-K6DNA1D/O GWH18ATDXD-K6DNA1A/O



GWH18AWDXE-K6DNA4A/O



GWH24AVEXF-K6DNA1A/O

