

Model			GWH09YCXB-K6DNA1C GWH09YCXB-K6DNA2C
Product Code			CB437004901 CB466003001/CB466003002/CB466003003
Power Supply	Rated Voltage	V~	220-240
	Rated Frequency	Hz	50
	Phases		1
Power Supply Mode			Outdoor
Cooling Capacity		W	2700
Heating Capacity		W	3000
Cooling Power Input		W	600
Heating Power Input		W	680
Cooling Current Input		A	3.1
Heating Current Input		A	3.7
Rated Input		W	1600
Rated Cooling Current		A	6.3
Rated Heating Current		A	7.1
Air Flow Volume		m <sup>3</sup> /h	660/590/540/490/450/420/390/180
Dehumidifying Volume		L/h	0.8
EER		W/W	4.5
COP		W/W	4.412
SEER		W/W	9
SCOP (Average/Warmer/Colder)		--	4.6/6.0/3.9
Application Area		m <sup>2</sup>	12-18
Indoor Unit	Model		GWH09YCXB-K6DNA1C/I GWH09YCXB-K6DNA2C/I
	Product Code		CB437N04900 CB466N03001/CB466N03002/CB466N03003
	Fan Type		Cross-flow
	Fan Diameter Length(DXL)	mm	Φ98×633
	Cooling Speed	r/min	1300/1150/1070/1000/850/700/650/500
	Heating Speed	r/min	1250/1100/1050/1000/950/900/850
	Fan Motor Power Output	W	20
	Fan Motor RLA	A	0.09
	Fan Motor Capacitor	μF	/
	Evaporator Form		Aluminum Fin-copper Tube
	Evaporator Pipe Diameter	mm	Φ5
	Evaporator Row-fin Gap	mm	2-1.4
	Evaporator Coil Length (LXDXW)	mm	635×22.8×306.3
	Swing Motor Model		MP24EB/MP24HF
	Swing Motor Power Output	W	1.5
	Fuse Current	A	3.15
	Sound Pressure Level	dB (A)	Cooling: 41/38/36/34/30/26/22/19 Heating: 41/38/36/34/32/30/28
	Sound Power Level	dB (A)	Cooling: 58/52/50/48/44/40/36/33 Heating: 58/52/50/48/46/44/42
	Dimension (WXHXD)	mm	865X290X210
	Dimension of Carton Box (LXWXH)	mm	928X278X364
Dimension of Package (LXWXH)	mm	931X281X379	
Net Weight	kg	10.5	
Gross Weight	kg	12.5	

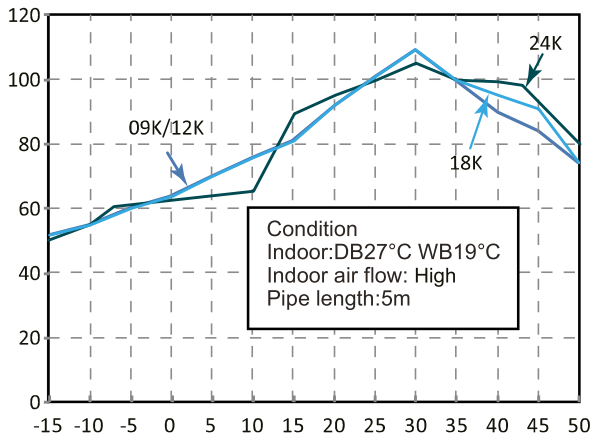
Outdoor Unit	Outdoor Unit Model		GWH09YCXB-K6DNA1C/O
	Outdoor Unit Product Code		CB437W04901
	Compressor Manufacturer		ZHUHAI LANDA COMPRESSOR CO.,LTD
	Compressor Model		QXF-A082zC170
	Compressor Oil		ZE-G;ES RB68GX or equivalent
	Compressor Type		Rotary
	Compressor LRA.	A	15
	Compressor RLA	A	2.56
	Compressor Power Input	W	756.6
	Compressor Overload Protector		/
	Throttling Method		Electron expansion valve
	Set Temperature Range	°C	16~30
	Cooling Operation Ambient Temperature Range	°C	-15~50
	Heating Operation Ambient Temperature Range	°C	-25~30
	Condenser Form		Aluminum Fin-copper Tube
	Condenser Pipe Diameter	mm	Φ7
	Condenser Rows-fin Gap	mm	2-1.4
	Condenser Coil Length (LXD <sub>XW</sub> )	mm	666×38.1×527
	Fan Motor Speed	rpm	850
	Fan Motor Power Output	W	30
	Fan Motor RLA	A	0.4
	Fan Motor Capacitor	μF	/
	Outdoor Unit Air Flow Volume	m <sup>3</sup> /h	1950
	Fan Type		Axial-flow
	Fan Diameter	mm	Φ400
	Defrosting Method		Automatic Defrosting
	Climate Type		T1
	Isolation		I
	Moisture Protection		IPX4
	Permissible Excessive Operating Pressure for the Discharge Side	MPa	4.3
	Permissible Excessive Operating Pressure for the Suction Side	MPa	2.5
	Sound Pressure Level (H/M/L)	dB (A)	50
	Sound Power Level (H/M/L)	dB (A)	62
Dimension(WXHXD)	mm	732X555X330	
Dimension of Carton Box (LXWXH)	mm	791X373X590	
Dimension of Package(LXWXH)	mm	794X376X615	
Net Weight	kg	27	
Gross Weight	kg	29.5	
Refrigerant		R32	
Refrigerant Charge	kg	0.7	
Connection Pipe	Connection Pipe Length	m	5
	Connection Pipe Gas Additional Charge	g/m	16
	Outer Diameter Liquid Pipe	inch	1/4
	Outer Diameter Gas Pipe	inch	3/8
	Max Distance Height	m	10
	Max Distance Length	m	15
	Note: The connection pipe applies metric diameter.		

The above data is subject to change without notice. Please refer to the nameplate of the unit.

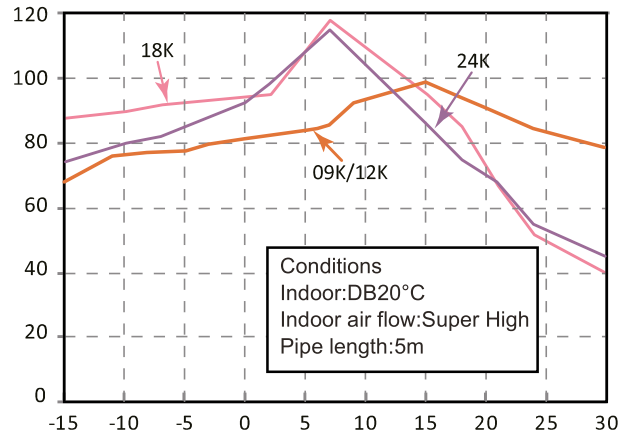
## 2.2 Capacity Variation Ratio According to Temperature

Heating operation ambient temperature range is  $-15^{\circ}\text{C}\sim 30^{\circ}\text{C}$

Cooling

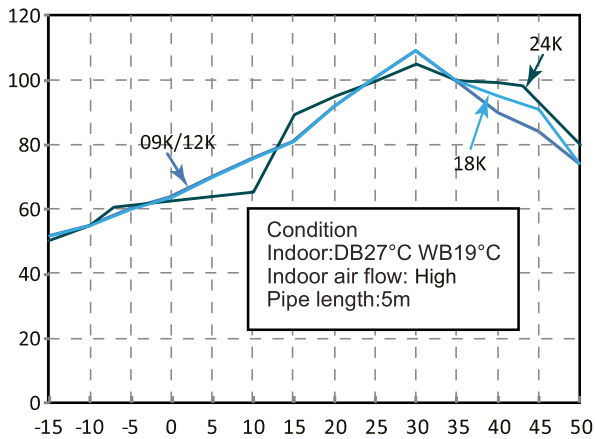


Heating

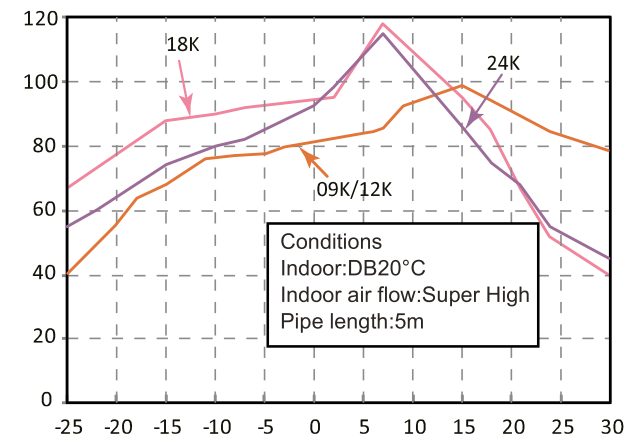


Heating operation ambient temperature range is  $-25^{\circ}\text{C}\sim 30^{\circ}\text{C}$

Cooling

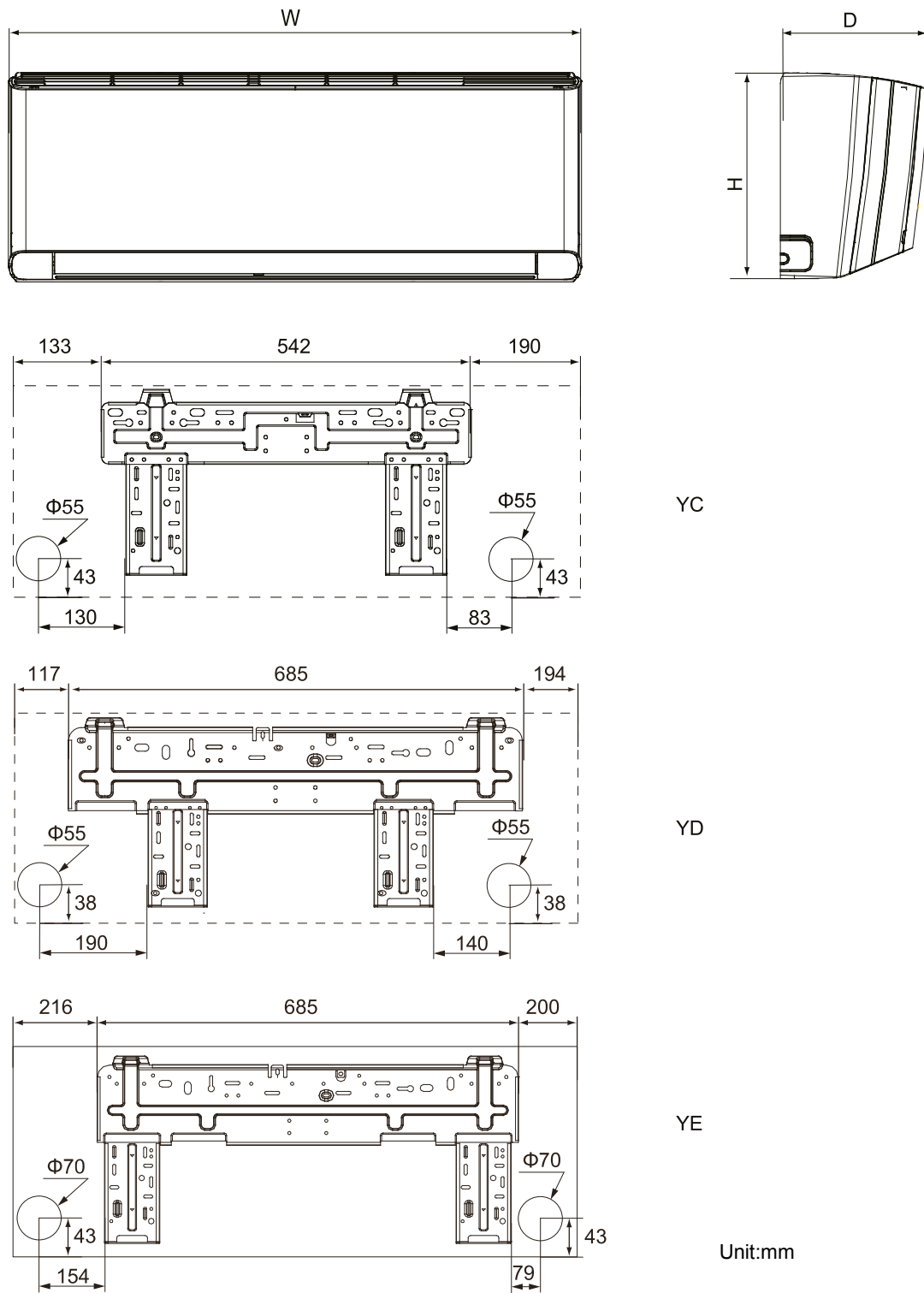


Heating



# 3. Outline Dimension Diagram

## 3.1 Indoor Unit



YC

YD

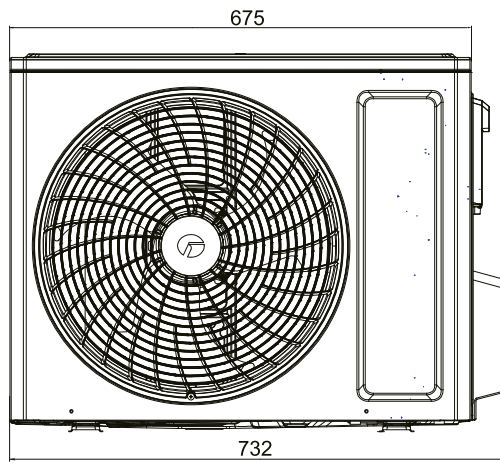
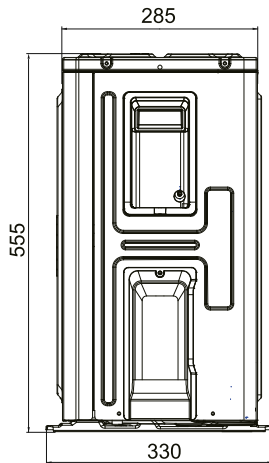
YE

Unit:mm

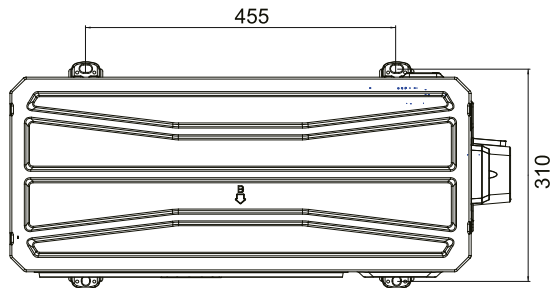
Model	W	H	D
YC	865	290	210
YD	996	301	225
YE	1101	327	249

## 3.2 Outdoor Unit

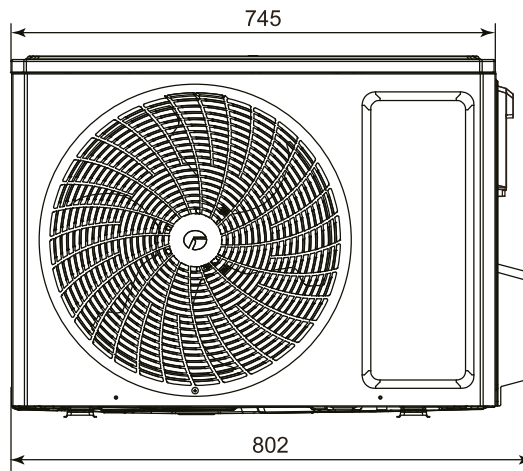
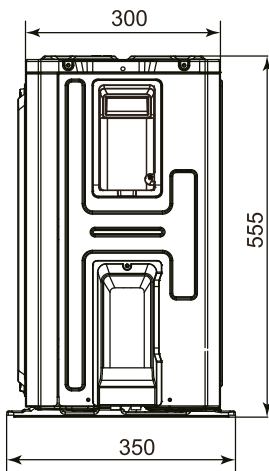
GWH09YCXB-K6DNA1C/O



Unit:mm



GWH12YCXD-K6DNA1B/O



Unit:mm

