

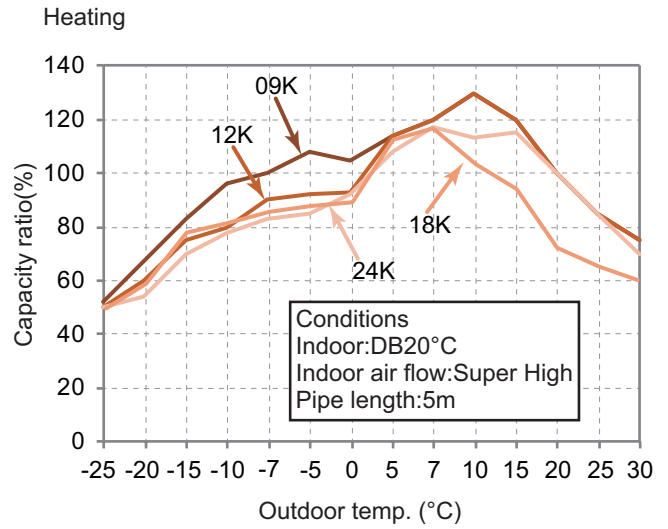
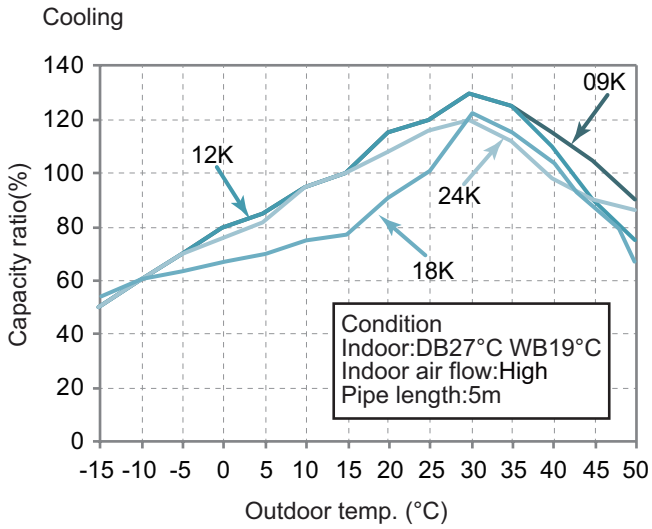
Model		-	GWH18ACDXF-K6DNA1D
Product Code		-	CB497027300/CB497027301
Power Supply	Rated Voltage	V~	220-240
	Rated Frequency	Hz	50
	Phases	-	1
Power Supply Mode		-	Outdoor
Cooling Capacity		W	5300
Heating Capacity		W	5600
Cooling Power Input		W	1391
Heating Power Input		W	1432
Cooling Current Input		A	6.10
Heating Current Input		A	6.35
Rated Input		W	2500
Rated Cooling Current		A	11.5
Rated Heating Current		A	11.5
Air Flow Volume		m ³ /h	850/750/680/610/570/520/460
Dehumidifying Volume		L/h	1.8
EER		W/W	3.81
COP		W/W	3.91
SEER		-	8.5
SCOP(Average/Warmer/Colder)		-	4.6/5.7/3.4
Application Area		m ²	23-34
Indoor Unit	Indoor Unit Model	-	GWH18ACDXF-K6DNA1D/I
	Indoor Unit Product Code	-	CB497N27300/CB497N27301
	Fan Type	-	Cross-flow
	Fan Diameter Length(DXL)	mm	Φ106×706
	Cooling Speed	r/min	1230/1170/1100/1020/960/880/800/550
	Heating Speed	r/min	1400/1270/1200/1130/1050/980/900
	Fan Motor Power Output	W	45
	Fan Motor RLA	A	0.25
	Fan Motor Capacitor	μF	/
	Evaporator Form	-	Aluminum Fin-copper Tube
	Evaporator Pipe Diameter	mm	Φ7
	Evaporator Row-fin Gap	mm	2-1.4
	Evaporator Coil Length (LXDXW)	mm	715×25.4×304.8
	Swing Motor Model	-	MP35CJ/MP24HF
	Swing Motor Power Output	W	2.5/1.5
	Fuse Current	A	3.15
	Sound Pressure Level	dB (A)	Cooling: 44/42/40/38/37/33/31/22 Heating: 48/45/43/41/39/37/34
	Sound Power Level	dB (A)	Cooling: 60/58/56/54/53/49/47/38 Heating: 60/57/55/53/51/49/46
	Dimension (WXHXD)	mm	1013X307X221
	Dimension of Carton Box (LXWXH)	mm	1055X366X287
Dimension of Package (LXWXH)	mm	1060X374X297	
Net Weight	kg	13	
Gross Weight	kg	15.5	

Outdoor Unit	Outdoor Unit Model	-	GWH18ACDXF-K6DNA1D/O
	Outdoor Unit Product Code	-	CB497W27300
	Compressor Manufacturer	-	ZHUHAI LANDA COMPRESSOR CO., LTD.
	Compressor Model	-	QXF-M130zF170
	Compressor Oil	-	FW68DA or equivalent
	Compressor Type	-	Rotary
	Compressor LRA.	A	22
	Compressor RLA	A	/
	Compressor Power Input	W	1196
	Compressor Overload Protector	-	/
	Throttling Method	-	Electron expansion valve
	Set Temperature Range	°C	16~30
	Cooling Operation Ambient Temperature Range	°C	-15~50
	Heating Operation Ambient Temperature Range	°C	-25~30
	Condenser Form	-	Aluminum Fin-copper Tube
	Condenser Pipe Diameter	mm	Φ7
	Condenser Rows-fin Gap	mm	2-1.3
	Condenser Coil Length (LXDXW)	mm	963×38.1×616
	Fan Motor Speed	rpm	820
	Fan Motor Power Output	W	60
	Fan Motor RLA	A	0.65
	Fan Motor Capacitor	μF	/
	Outdoor Unit Air Flow Volume	m ³ /h	3600
	Fan Type	-	Axial-flow
	Fan Diameter	mm	Φ520
	Defrosting Method	-	Automatic Defrosting
	Climate Type	-	T1
	Isolation	-	I
	Moisture Protection	-	IPX4
	Permissible Excessive Operating Pressure for the Discharge Side	MPa	4.3
	Permissible Excessive Operating Pressure for the Suction Side	MPa	2.5
	Sound Pressure Level	dB (A)	58
	Sound Power Level	dB (A)	64
Dimension (WXHXD)	mm	958X660X402	
Dimension of Carton Box (LXWXH)	mm	1029X453X715	
Dimension of Package (LXWXH)	mm	1032X456X737	
Net Weight	kg	42.5	
Gross Weight	kg	47	
Refrigerant	-	R32	
Refrigerant Charge	kg	1.05	
Connection Pipe	Connection Pipe Length	m	5
	Connection Pipe Gas Additional Charge	g/m	16
	Outer Diameter Liquid Pipe	inch	1/4
	Outer Diameter Gas Pipe	inch	1/2
	Max Distance Height	m	10
	Max Distance Length	m	25
	Note: The connection pipe applies metric diameter.		

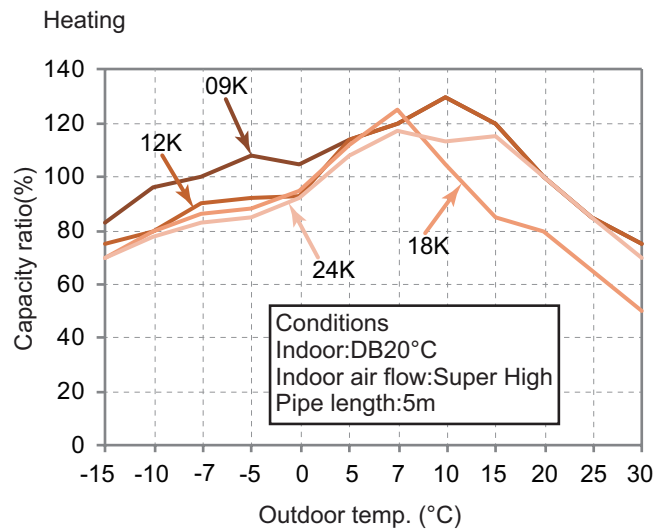
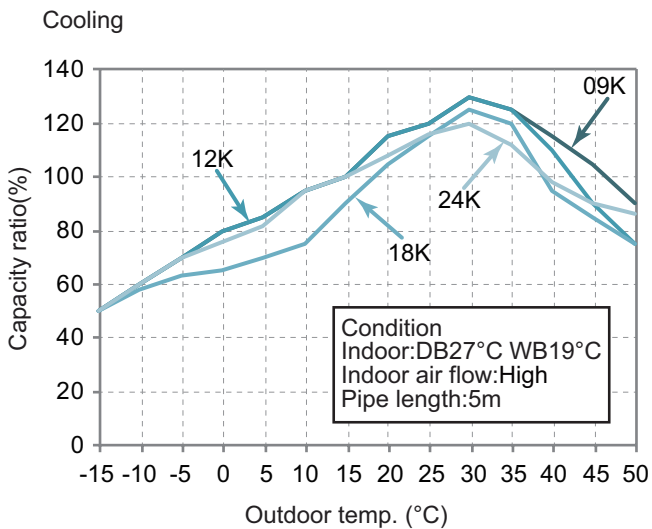
The above data is subject to change without notice. Please refer to the nameplate of the unit.

2.2 Capacity Variation Ratio According to Temperature

Heating operation ambient temperature range is -25°C~30°C

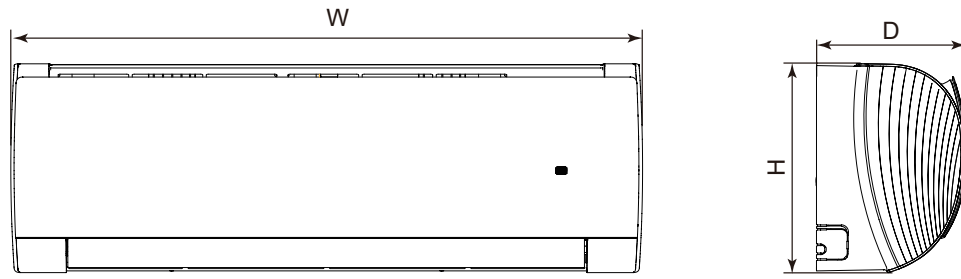


Heating operation ambient temperature range is -15°C~30°C

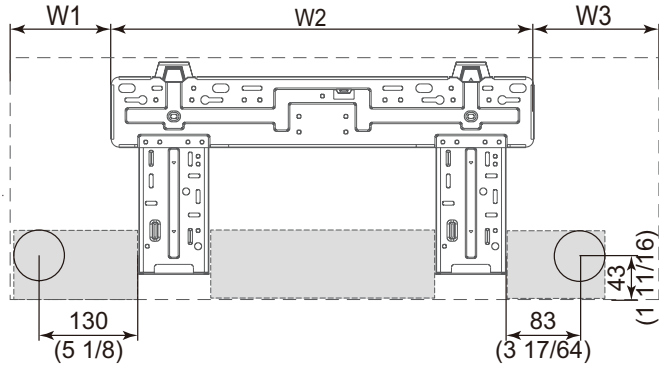


3. Outline Dimension Diagram

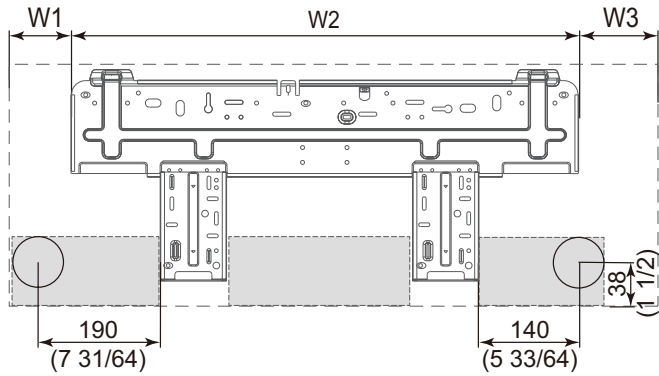
3.1 Indoor Unit



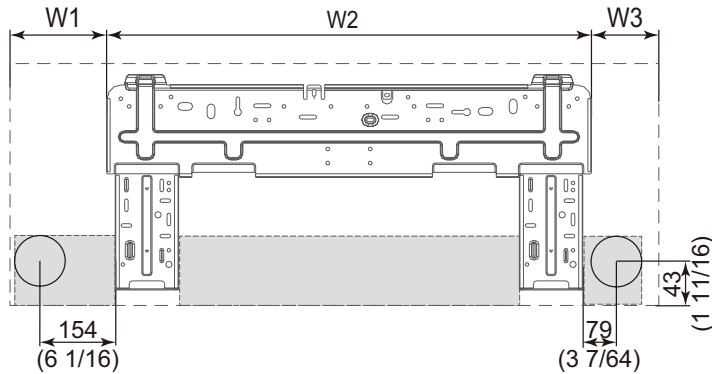
Unit: mm(inch)



ACC



ACD

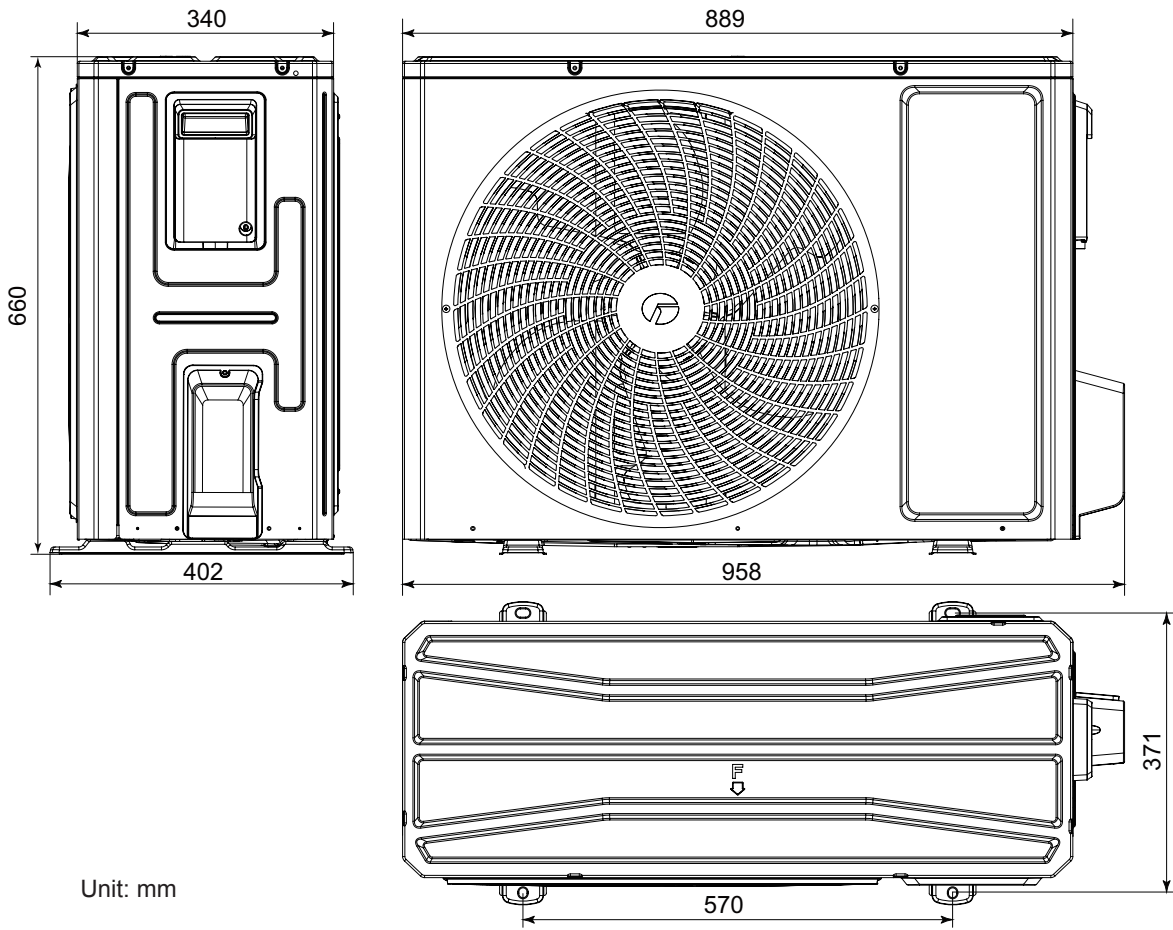


ACE

Unit: mm

Model	W	H	D	W1	W2	W3
ACC	889	294	212	146	542	201
ACD	1013	307	221	125.5	685	202.5
ACE	1122	329	247	230	685	207

GWH18ACDXF-K6DNA1C/O GWH18ACDXF-K6DNA1D/O GWH24AVEXF-K6DNA1A/O



Unit: mm